

# LED Exit Signs

## MODEL OE-316



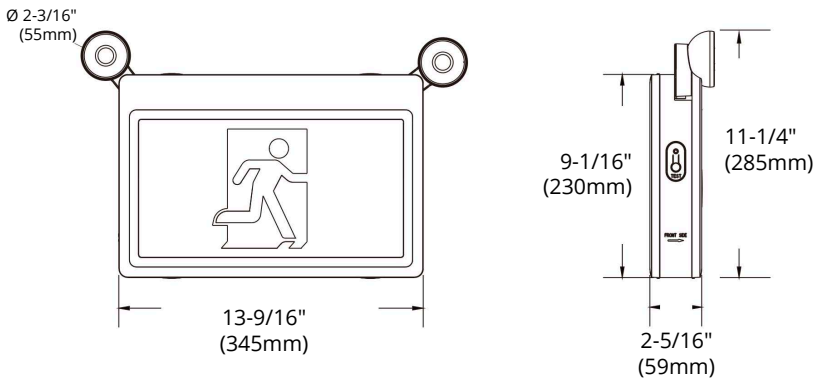
### HIGHLIGHTS

- LED Running Man Combo Exit Sign made of UV stabilized plastic with 120 minutes backup time and adjustable heads
- LED Exit Signs with innovative, snap-together design, which allow for fast and easy installation
- Injection-molded thermoplastic ABS housing with Universal mounting (wall, side and ceiling)
- Has UL-94V-0 flame rating and is fire-retardant
- Includes Test button and charge indicator light
- Provides Overcharge & over-discharge protection
- Case Quantities: 6

### SPECIFICATIONS

Model	<b>OE-316</b>
Wattage	<b>4.5W</b>
Voltage	<b>120V AC or 347V AC /60Hz</b>
Material	<b>Injection molded thermoplastic ABS housing</b>
Battery	<b>3.6V 1800mAh</b>
Emergency Duration Time	<b>≥ 120 min</b>
Conversion Time	<b>&lt; 0.2 seconds</b>
Grade of Protection	<b>IP 20</b>
Insulation	<b>II, Range: 80m<sup>2</sup></b>
Operating Temp.	<b>0°C ~ +40°C</b>
Warranty	<b>5 years</b>

### DIMENSIONS



ORTECH reserves the right to modify at any time, without notice, any or all of our product's features, designs, components and specifications to meet market changes.



\* Included in packaging

Reference	QTY.	Remarks	Project:
			Location:
			Architect:
			Engineer:
			Contractor:
			Submitted by:
			Date: