

LED Emergency Lights

MODEL OE-212BP

ORTECH

Product Specification Sheet



HIGHLIGHTS

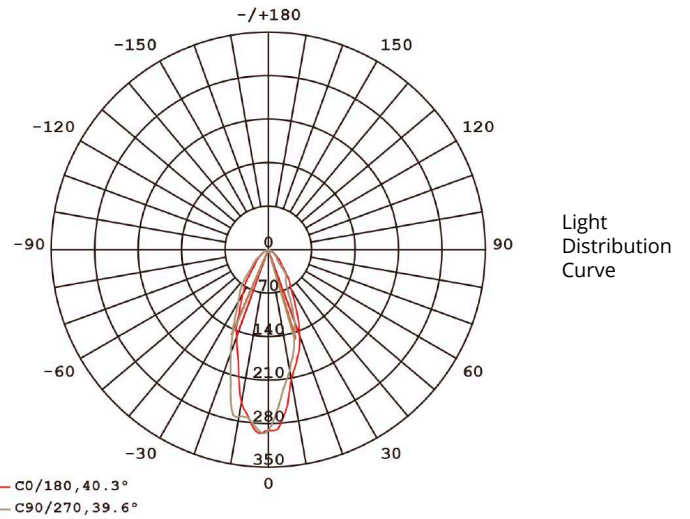
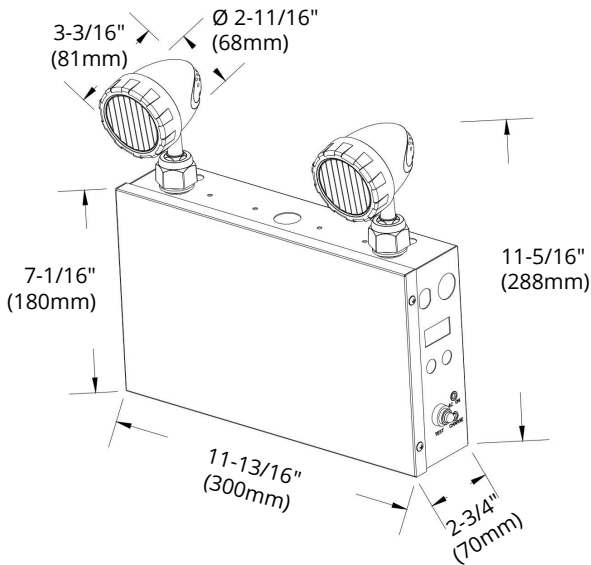
- LED Dual Head Emergency Light with battery pack backup and high efficiency LED remote heads
- Has 2 pieces 2W ultra bright LED lamp heads for emergency mode and 120V/277V/347V AC triple voltage operation
- Universal mounting pattern and key hole slots are stamped on the back and conduit knockouts on the sides of each unit
- Comes with built-in 6V 7Ah Lead-Acid battery for minimum 2 hours emergency operation
- Made of steel housing with lightweight thermal plastic head in matching colour, and has UL94V-0 flame rating
- Full recharge time is maximum 24 hours and is suitable for +10°C to +40°C indoor damp locations
- Provides overcharge & over-discharge protection
- Includes test switch and charge indicator
- Fast and Easy installation in minutes
- More than 200 lmn
- Case Quantities: 2

SPECIFICATIONS

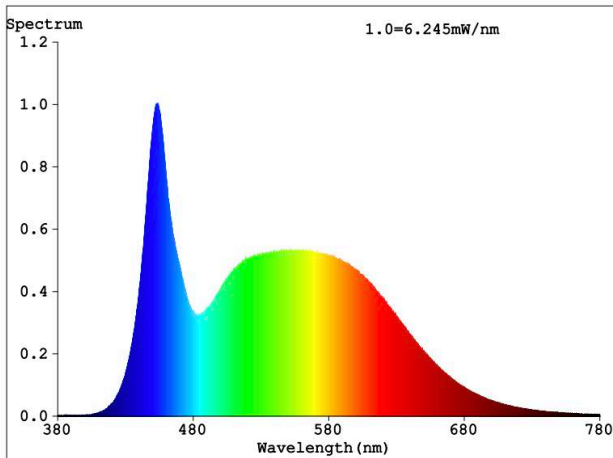
Model	OE-212BP
Wattage	36W Max.
Voltage	120V AC or 277V AC or 347V AC /60Hz
AC Charging Current	100mA AC Max.
DC Charging Voltage	5.25-7.5V DC
DC Charging Current	560mA DC Max.
Lumens	260 lmn
Material	Steel housing and light weight thermal plastic heads in matching colour
Battery	6V 7Ah
Battery Type	Lead-Acid Battery
Emergency Duration Time	≥ 120 min
Discharge Current	0.67-6.67A
Charging Time	≥ 120 min
Colour Temp.	6500K (Cool White)
Operating Temp.	+10°C ~ +40°C
Warranty	5 years

MODEL OE-212BP

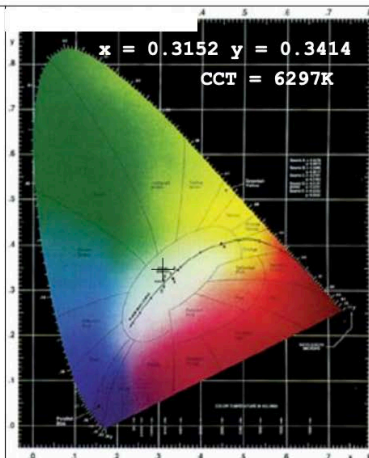
DIMENSIONS & TESTING REPORT



SPECTRA



Spectral Distribution



OE-212BP Chromaticity Diagram

ORTECH reserves the right to modify at any time, without notice, any or all of our product's features, designs, components and specifications to meet market changes.

Colourimetric Parameters

Chromaticity Coordinate: $x = 0.3152$ $y = 0.3414$ / $u' = 0.1950$ $v' = 0.4752$
 CCT= 6297K (Duv=0.0082) Dominant WL: Ld=497.5nm Purity=5.7%
 Peak WL: Lp=453.2nm FWHM: =26.7nm Ratio: R=13.3% G=80.7% B=6.0%
 Render Index: Ra = 83.6 CRI=76.4 AvgR=76.3
 R1=81 R2=89 R3=95 R4=81 R5=82 R6=86 R7=88
 R8=68 R9=4 R10=75 R11=80 R12=60 R13=83 R14=97 R15=75

Photometric & Radiometric Parameters

Flux = 218.7 lm Eff. : 0.00 lm/W Fe = 695.6mW

Electrical parameters

V = 0 V I = 0 A P = 0 W PF = 0

Reference	QTY.	Remarks	Project:
			Location:
			Architect:
			Engineer:
			Contractor:
			Submitted by:
			Date: