

Dual Rockers Switches

MODEL 8203-2



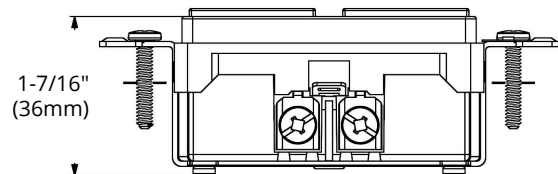
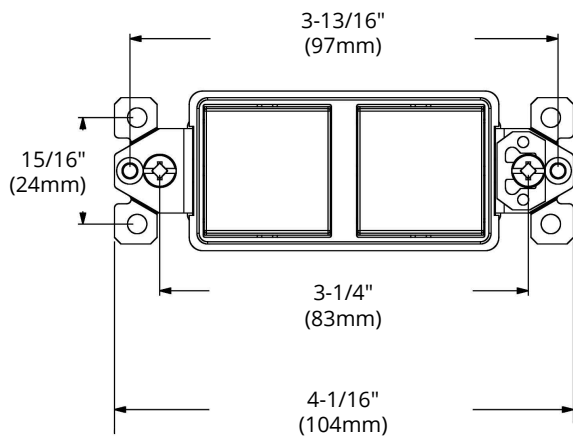
HIGHLIGHTS

- 120V AC and 100 per case
- Connection screw is made up with steel plating
- 15 amps single pole decorative dual rockers switch with 4 screws
- Case Quantities: 200

SPECIFICATIONS

Model	8203-2
Voltage	120V AC
Resistive	15A
Yoke	Steel with Zinc plating
Wire Type	Copper only
Clamp Parts	Copper or plated aluminum
Operating Temp.	-40°C ~ +70°C

DIMENSIONS



Reference	QTY.	Remarks	Project:
			Location:
			Architect:
			Engineer:
			Contractor:
			Submitted by:
			Date:

ORTECH reserves the right to modify at any time, without notice, any or all of our product's features, designs, components and specifications to meet market changes.