

Receptacles

MODEL 8304USB



HIGHLIGHTS

- 2 USB charging ports with total power of 4A
- Charge electrical device directly without an adapter
- Tamper resistant (TR) receptacles increase safety
- 15A dual USB charger with 15A duplex that charges without adapter

SPECIFICATIONS

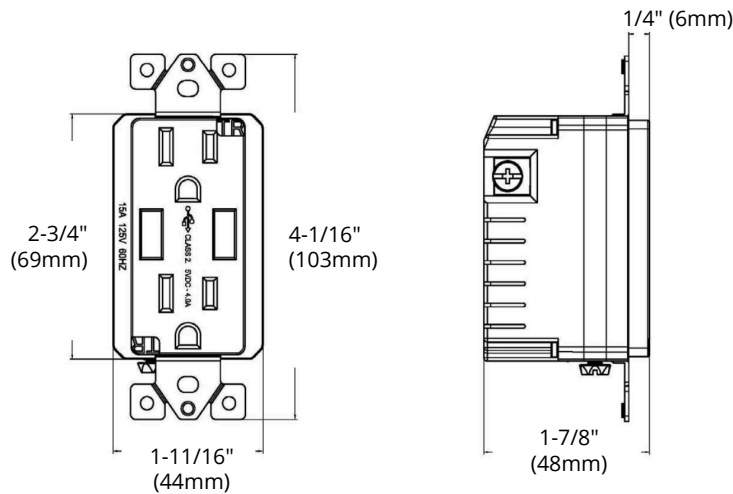
Model	8304USB
Voltage	125V AC
Amps	15A
Base / Cover	Polycarbonate
Power Contacts	Brass & Silver
Terminal Screws	Plated steel
Frame	Plated steel
Flammability	UL 498
Operating Temp.	+20°C ~ +60°C
Case Quantities	40

Colour Availability:



White

DIMENSIONS



Reference	QTY.	Remarks	Project:
			Location:
			Architect:
			Engineer:
			Contractor:
			Submitted by:
			Date:

ORTECH reserves the right to modify at any time, without notice, any or all of our product's features, designs, components and specifications to meet market changes.