

MODEL 1/2IN CONN



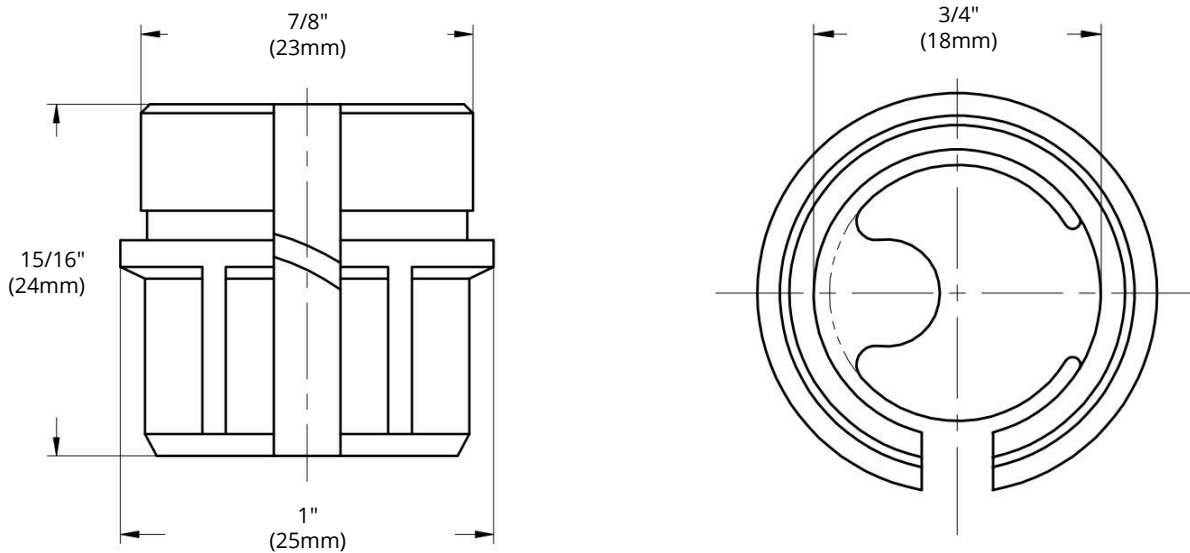
HIGHLIGHTS

- Grey 1/2" polymeric resin Loomex connector for connecting NMD90 Loomex cable
- Suitable for a dry location box or enclosure
- Terminale non-metallic sheathed cable

SPECIFICATIONS

Model	1/2IN CONN
Trade Size	1/2" (13mm)
NM Wire Size	10/3 ~14/3 AWG, 12/2 AWG
Application	For metal junction box knock-out hole
Grade of Protection	IP20
Case Quantities	3000

DIMENSIONS



Reference	QTY.	Remarks	Project:
			Location:
			Architect:
			Engineer:
			Contractor:
			Submitted by:
			Date:

ORTECH reserves the right to modify at any time, without notice, any or all of our product's features, designs, components and specifications to meet market changes.