

MODEL 3/4IN CONN



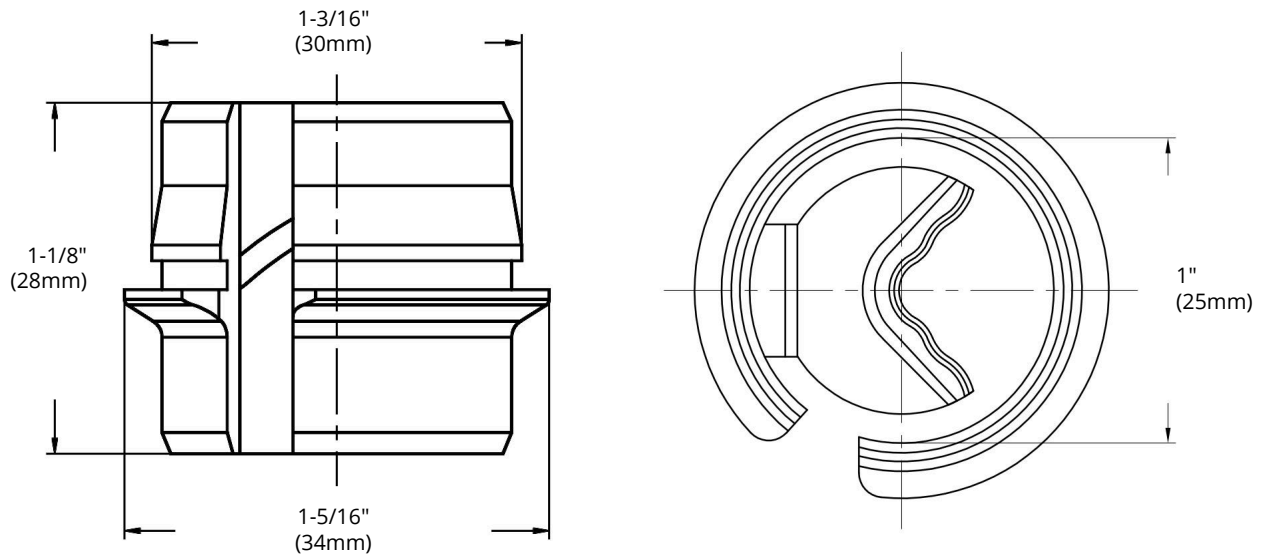
HIGHLIGHTS

- Red 3/4" PVC (Polymerizing vinyl chloride) connector

SPECIFICATIONS

Model	3/4IN CONN
Trade Size	3/4" (19mm)
NM Wire Size	8/3 AWG
Application	For metal junction box knock-out hole
Grade of Protection	IP20
Case Quantities	500

DIMENSIONS



Reference	QTY.	Remarks	Project:
			Location:
			Architect:
			Engineer:
			Contractor:
			Submitted by:
			Date:

ORTECH reserves the right to modify at any time, without notice, any or all of our product's features, designs, components and specifications to meet market changes.