

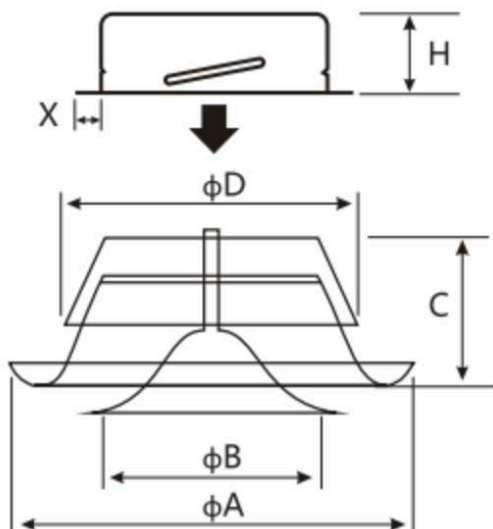
## MODEL SAV



### HIGHLIGHTS

- Fixing in the mounting frame
- Delivery valves in steel with collar of fixing
- All steel construction material with RAL 9016 and RAL 9010 for its colour
- Supply Air Valve made of steel with adjustable core and 50 mm mounting frame
- Pressed steel grill with adjustable core, supplied with galvanized steel mounting frame
- Case Quantities: 7

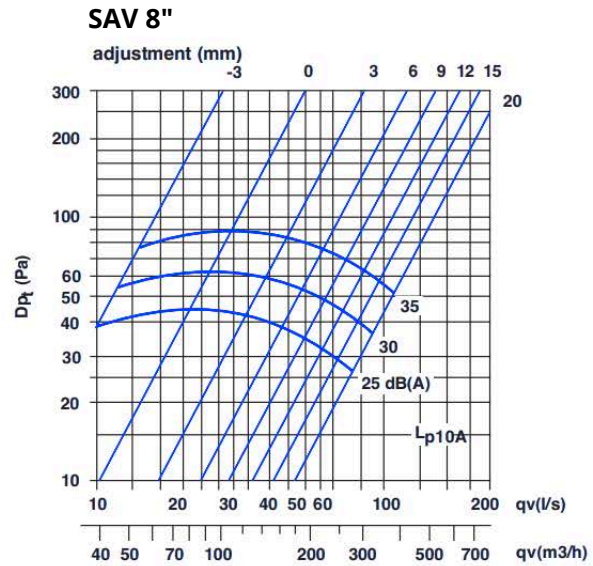
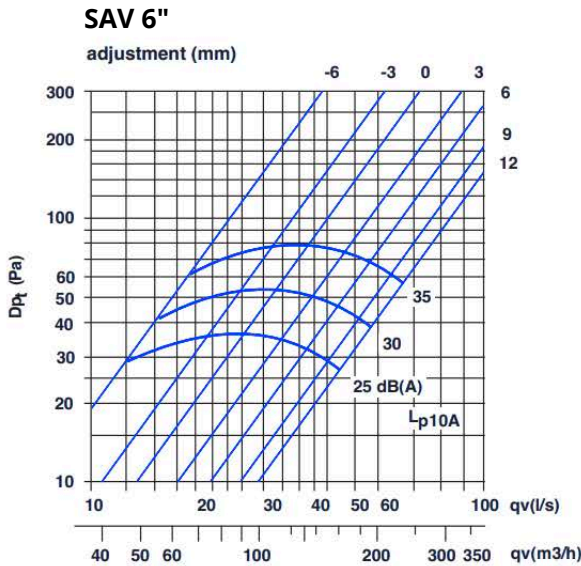
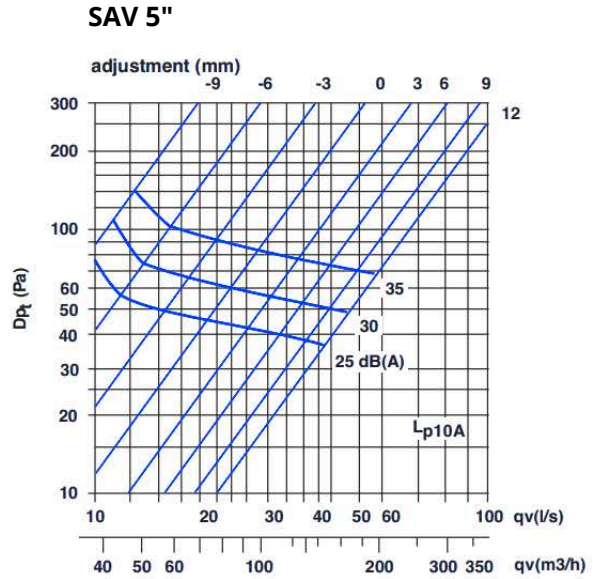
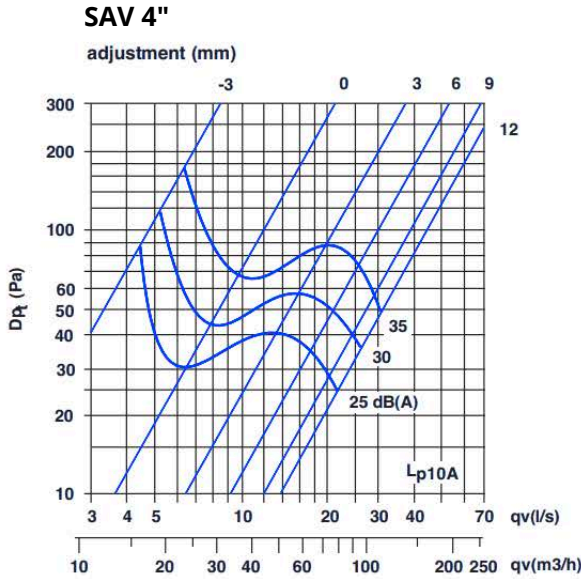
### SPECIFICATIONS



Model	Ø A	Ø B	C	Ø D	H	X
<b>SAV 4"</b>	5-7/16" (138 mm)	3-5/8" (92 mm)	1-9/16" (40 mm)	3-7/8" (98 mm)	1-7/8" (48 mm)	9/16" (14 mm)
<b>SAV 5"</b>	6-7/16" (164 mm)	4-3/8" (111 mm)	1-13/16" (46 mm)	4-13/16" (123 mm)		
<b>SAV 6"</b>	7-15/16" (202 mm)	5-5/16" (135 mm)	2" (50 mm)	5-13/16" (148 mm)		
<b>SAV 8"</b>	9-3/4" (248 mm)	7-11/16" (195 mm)	2-1/2" (63 mm)	7-13/16" (198 mm)		

## MODEL SAV

### CURVE GRAPHS



Reference	QTY.	Remarks	Project:
			Location:
			Architect:
			Engineer:
			Contractor:
			Submitted by:
			Date:

ORTECH reserves the right to modify at any time, without notice, any or all of our product's features, designs, components and specifications to meet market changes.