

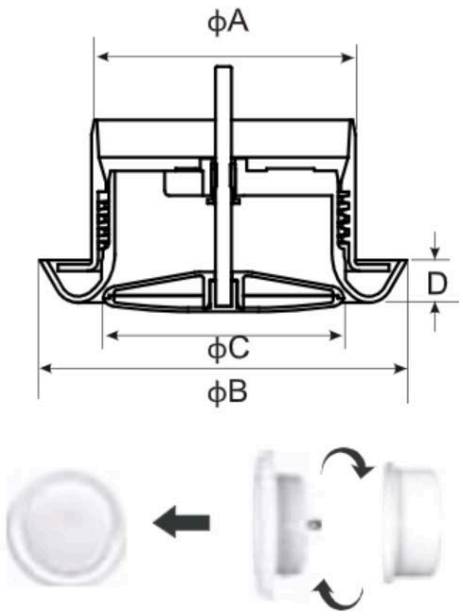
MODEL PAV-B



HIGHLIGHTS

- To be mounted into round duct by mounting frame
- Polypropylene body with adjustable core and thread
- Polymeric air valve for air supply and exhaust in ventilation systems
- Case Quantities: 7

SPECIFICATIONS



| Model | Ø A | Ø B | Ø C | D |
|-----------------|----------------------|----------------------|---------------------|------------------|
| PAV-B 4" | 3-13/16" (97 mm) | 5-7/16" (138 mm) | 3-9/16" (90 mm) | 9/16" (15 mm) |
| PAV-B 5" | 4-13/16" (122 mm) | 6-5/8" (168 mm) | 4-1/2" (115 mm) | |
| PAV-B 6" | 6-3/16" (157 mm) | 8-7/16" (215 mm) | 5-1/8" (130 mm) | |
| PAV-B 8" | 7-11/16" (195 mm) | 10-1/16" (255 mm) | 7-7/16" (189 mm) | |

| Reference | QTY. | Remarks | Project: |
|-----------|------|---------|---------------|
| | | | Location: |
| | | | Architect: |
| | | | Engineer: |
| | | | Contractor: |
| | | | Submitted by: |
| | | | Date: |

ORTECH reserves the right to modify at any time, without notice, any or all of our product's features, designs, components and specifications to meet market changes.