

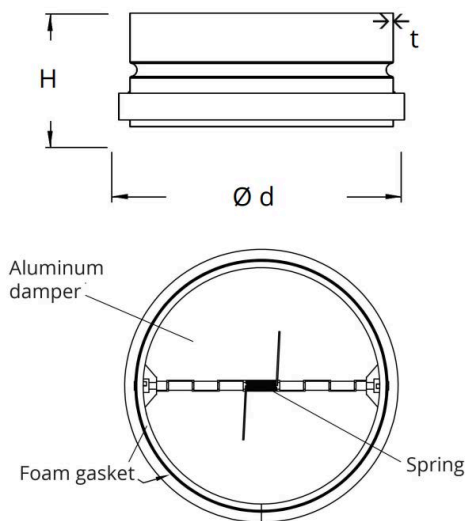
## MODEL BDA



### HIGHLIGHTS

- The damper is installed by sliding between two ducts
- Capable of functioning in both horizontal and vertical positions
- Galvanized steel round back draft damper with aluminum blades for mounting between ducts
- When mounted, damper prevents back draft when the fan stops; temperature usage up to +50°C
- Aluminum blades will open when blades are exposed to pressure and will shut again when pressure drops
- Its mechanical spring is sealed with a rubber (neoprene) gasket, which helps opening and shutting of the aluminum blades
- Case Quantities: BDA 4" = 100, BDA 5" = 64, BDA 6" = 36, BDA 8" = 16, BDA 10" = 12, BDA 12" = 9

### SPECIFICATIONS



Model	Ø d	H	t
<b>BDA 4"</b>	3-7/8" (99mm)	3-7/16" (88mm)	1/64" (0.5mm)
<b>BDA 5"</b>	4-7/8" (124mm)		
<b>BDA 6"</b>	5-7/8" (149mm)		
<b>BDA 8"</b>	7-13/16" (199mm)	5-1/16" (128mm)	
<b>BDA 10"</b>	9-13/16" (249mm)		
<b>BDA 12"</b>	12-3/8" (314mm)	5-1/16" (128mm)	

Reference	QTY.	Remarks	Project:
			Location:
			Architect:
			Engineer:
			Contractor:
			Submitted by:
			Date:

ORTECH reserves the right to modify at any time, without notice, any or all of our product's features, designs, components and specifications to meet market changes.