

LED Slim Lights

MODEL DISC4-3CCT



HIGHLIGHTS

Round 4" LED slim light with adjustable 3 CCT - **driver NOT included in box**

- Class 2 transformer in junction box is included
- Easy & fast installation — install directly into ceiling with clips
- No housing required — Type IC, air tight & damp location rated
- Depth is 1/2", and for the best possible Layout Depth Flexibility, it should be installed right under joists

MOUNTING

- Ceiling clearance required: 1"
- Cut hole in ceiling and snap fixture in Opening with attached spring clips

SPECIFICATIONS

Model	DISC4-3CCT
Wattage	12W
Voltage	120V AC
Lumens	900 lmn
Beam Angle	120°
Lifetime	50000 hours
Cutout	Ø 4-1/4" (108 mm)
CRI	80
Dimmable	Yes
Rating	IC Rated / Indoor use / for Damp location
Grade of Protection	IP 44
Air Tight	Yes
Application	Recessed ceiling / Balcony / Overhanging eaves
Colour Temp.	3000K (Warm White) / 4000K (Cool White) / 5000K (Cool White)
Operating Temp.	-20°C ~ +40°C
Warranty	5 years
Case Quantities	48

MODEL DISC4-3CCT

FEATURES & BENEFITS

3CCT CHANGEABLE

3000K (Warm White)

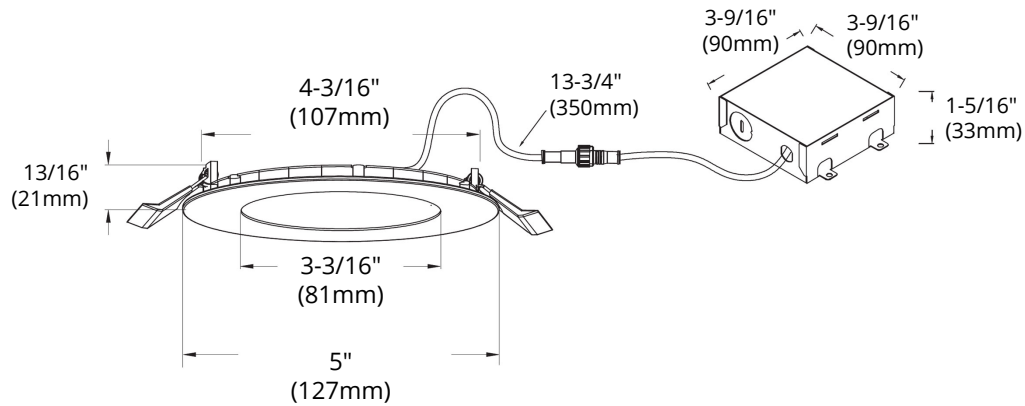
4000K (Natural White)

5000K (Cool White)



Changeable
3000K/4000K/5000K
controlled by 3CCT switch

DIMENSIONS



TRIMS (SOLD SEPARATELY)



SLIM4-RING BR

Brown Ring



SLIM4-RING CH

Chrome Ring



SLIM4-RING CP

Copper Ring



SLIM4-RING BK

Black Ring



SLIM4-RING SN

Satin Nickel Ring

ACCESSORIES (SOLD SEPARATELY)



PLATE4-HB

Mounting Plate for
ORTECH 4" Slim Lights



PLATE26-4

New Construction Plate for
ORTECH 4" Slim Lights



CORD-A24/A120

Flexible Connector
2FT/5FT/10FT/20FT

COMPATIBLE DIMMER LIST

Brand	Series	Model	Load	Dimmability
	Ariadni	AYCL-153P	150w	10%-100%
	Diva	DV-600PR	600W	1%-100%
	Diva	DVCL-153P	150W	10%-100%
	Maestro	MACL-153MH	600W	10%-100%
	Maestro Wireless	MRF2-6CL	150W	10%-100%
Lutron	Rotary	D-600P	600W	10%-100%
	Electronic(ELV)	NTELV-300P	600W	10%-100%
	Skylark	S-600P	600W	10%-100%
	Skylark Contour	CT-600P	600W	1%-100%
	Skylark Contour	CTCL-153P	150W	10%-100%
	Toggler	TG-600P	600W	10%-100%
	Toggler	TCCL-153P	150W	10%-100%
Leviton	Sureslide	6633	600W	OK
	Sureslide Decora	6674	600W	20-100%
	Trimatron	6602	600W	20-100%
	ILLVMATECH	IPL06	600W	OK
Legrand	Adorne	ADTP703TU	700W	20-100%
	Harmony	H703PTW	700W	OK
Cooper	Aspire	9540	1000W	OK
	Devine	DAL06P	300W	OK

Reference	QTY.	Remarks	Project:
			Location:
			Architect:
			Engineer:
			Contractor:
			Submitted by:
			Date:

ORTECH reserves the right to modify at any time, without notice, any or all of our product's features, designs, components and specifications to meet market changes.