

MODEL OT-60D



HIGHLIGHTS

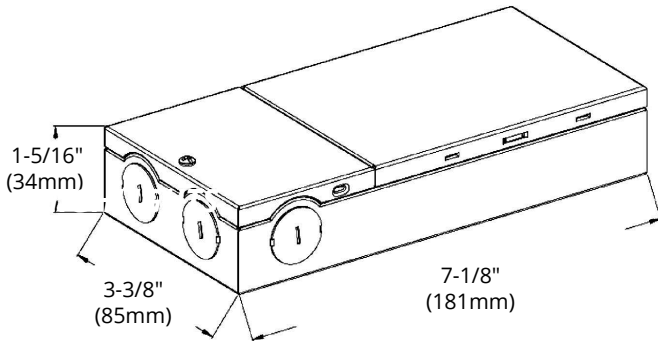
- Maximum 60W constant voltage phase TRIAC dimmable class 2 Driver for LED lighting and moving sign applications
- Offers strong compatibility, flicker-free dimming as well as high efficiency: up to 86%
- Integrated junction box for hard wire installation
- Case Quantities: 20

SPECIFICATIONS

Model	OT-60D
Input Voltage	108-127V AC
Output Voltage	12V DC
Maximum Wattage	60W
Amps	5A
Dimmable	Yes
Grade of Protection	IP 20
Frequency Range	47-63Hz
Power Factor	0.6 (Full loading)
Efficiency (Typ.)	86%
AC Current (Max.)	1.5A
Short Circuit	Hiccup mode, recover automatically after fault condition is removed
Over Loading	≤ 120%
Operating Temperature	-20°C ~ +40°C
Warranty	5 years

MODEL OT-60D

DIMENSIONS



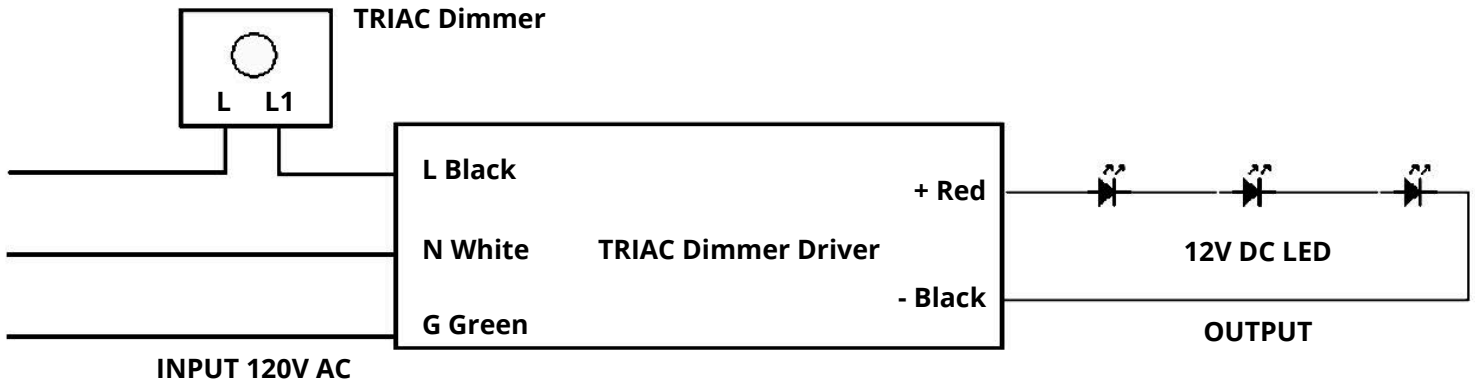
Important Reminder

- All parameters if NOT specially mentioned are measured at 120V AC input, rated load and +25°C of ambient temperature
- To extend the driver's lifespan, please reduce the loading at lower input voltage
- Loading should be 5%-100%

Dimming Operation

- The Pulse-Width Modulation (PWM) of output voltage can be adjusted through input terminal of the AC phase line (L) by connecting a TRIAC dimmer
- Usually matching with leading edge / Forward Phase TRIAC Dimmers (can be customized as a driver only matching trailing edge / reverse phase TRIAC Dimmers if needed)
- Please try to use dimmers with power at least 2.5 times as the output power of the driver
- For Forward phase, magnetic low voltage and TRIAC dimmers

WIRING DIAGRAM



Reference	QTY.	Remarks	Project:
			Location:
			Architect:
			Engineer:
			Contractor:
			Submitted by:
			Date:

ORTECH reserves the right to modify at any time, without notice, any or all of our product's features, designs, components and specifications to meet market changes.