

Max. 150W TDWJ Series Drivers

MODEL OT-12150-TDWJ | OT-24150-TDWJ



HIGHLIGHTS

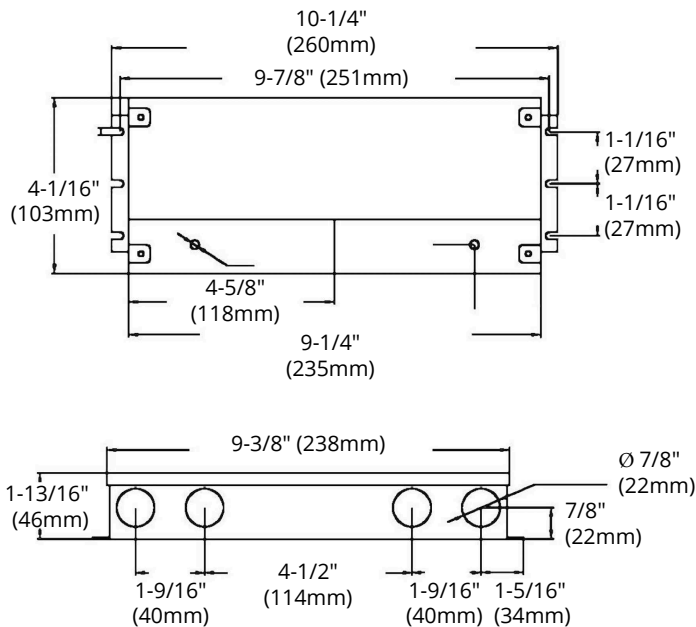
- Maximum 150W class 2 LED Driver available in 12V DC (OT-12150-TDWJ) and 24V DC (OT-24150-TDWJ) output
- Works for 110-277V AC input, 120V and 277V dimmers, allows for flicker free dimming down to 1%
- Flicker-free and compatible with Forward phase, Reverse phase, TRIAC, MLV, ELV Dimmers
- PWM (Pulse-Width Modulation) output, does not change the colour index
- Match with TRIAC, electronic low voltage, magnetic low voltage dimmers
- Full protection aluminum housing for dry / damp locations
- High efficiency: up to 85% and minimum load 10% only
- Suitable for LED lighting and moving sign applications
- Cooling by free air convection
- Case Quantities: 10

SPECIFICATIONS

Model	OT-12150-TDWJ	OT-24150-TDWJ
Input Voltage	110-277V AC	
Output Voltage	12V DC	24V DC
Maximum Wattage	150W	
Amps	12.5A	6.25A
Dimmable	Yes	
Frequency Range	47-63Hz	
Power Factor	0.98 at 120V AC 0.95 at 277V AC	0.99 at 120V AC 0.94 at 277V AC
Efficiency (Typ.)	85%	
AC Current (Max.)	1.8A at 110V AC	
Short Circuit	Shut down o/p voltage; repower on to recover after fault condition is removed	
Over Loading	120%	
Operating Temp.	-40°C ~ +60°C	
Operating Humidity	20-90% RH, non-condensing	
Safety Standards	UL 8750	
Withstand Voltage	I/P-O/P: 1880V AC	
Isolation Resistance	I/P-O/P: 100MΩ / 500V DC / +25°C / 70% RH	
Warranty	5 years	

MODEL OT-12150-TDWJ | OT-24150-TDWJ

DIMENSIONS



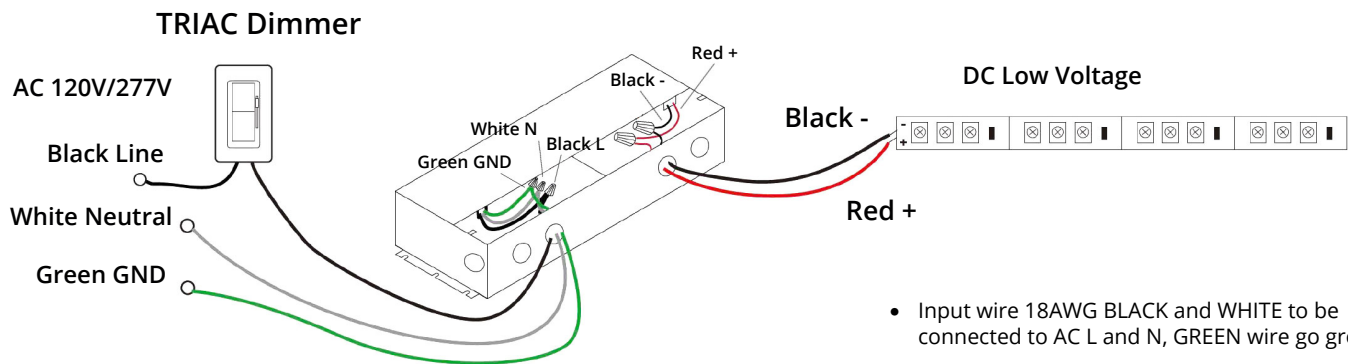
Important Reminder

- All parameters if NOT specially mentioned are measured at 120V AC input, rated load and +25°C of ambient temperature
- To extend the driver's lifespan, please reduce the loading at lower input voltage

Dimming Operation

- The Pulse-Width Modulation (PWM) of output voltage can be adjusted through input terminal of the AC phase line (L) by connecting a phase / TRIAC dimmer
- Usually matching with Forward phase, leading edge, magnetic low voltage, TRIAC Dimmers, or Reverse phase, trailing edge, Electric low voltage Dimmers
- Please try to use dimmers with power at least 1.5 times as the output power of the driver

WIRING DIAGRAM



- Input wire 18AWG BLACK and WHITE to be connected to AC L and N, GREEN wire go ground
- Output wire 14AWG RED to LED positive side (+), BLACK to LED negative side (-)

Reference	QTY.	Remarks	Project:
			Location:
			Architect:
			Engineer:
			Contractor:
			Submitted by:
			Date:

ORTECH reserves the right to modify at any time, without notice, any or all of our product's features, designs, components and specifications to meet market changes.