

LED EMERGENCY LIGHT

OE-212BP-WET

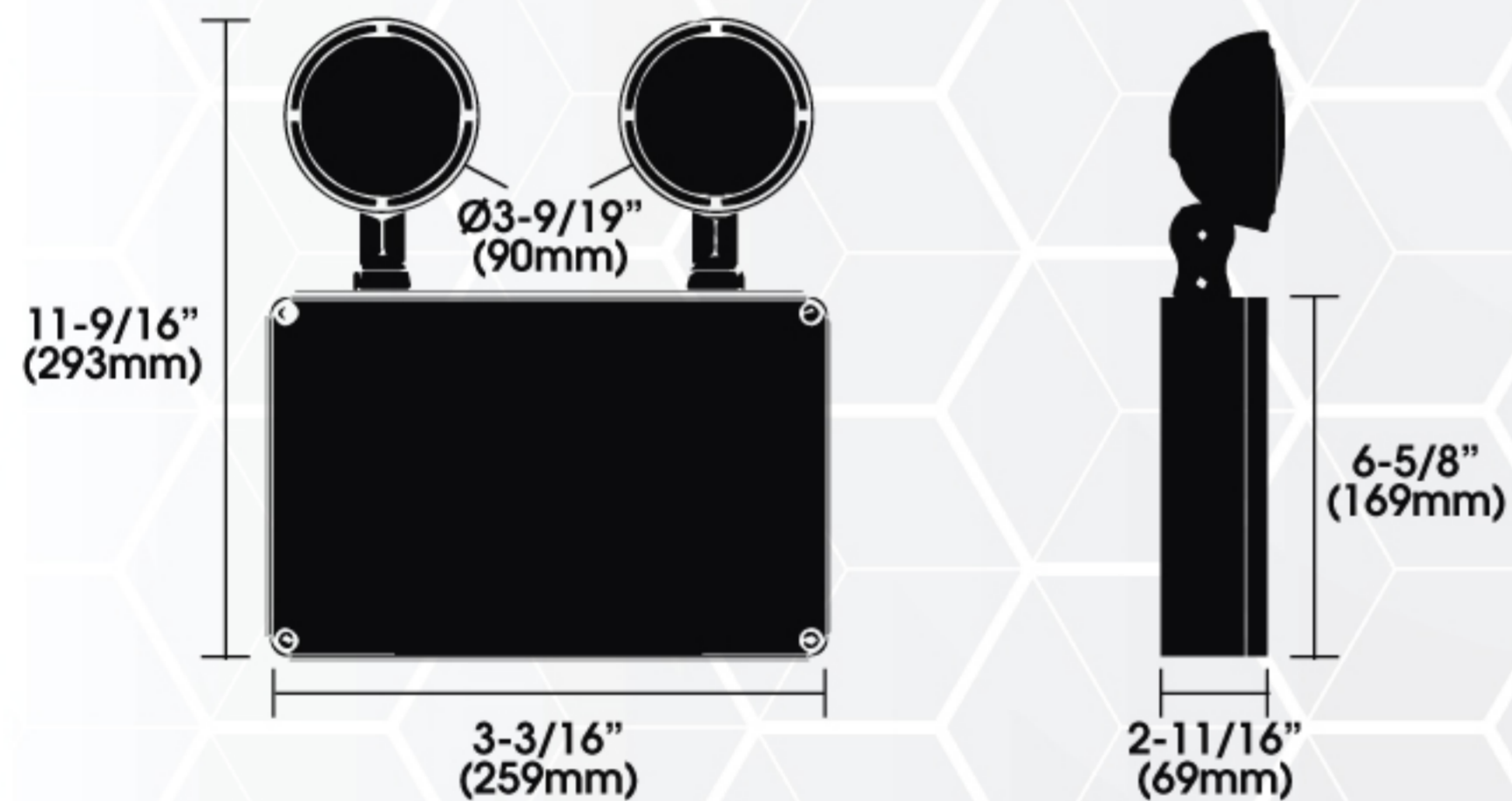
HIGHLIGHTS

LED Dual Head Emergency Light with battery pack backup

- Has 2 pieces 2.5W ultra bright LED lamp heads for emergency mode and 120V~347V AC universal voltage operation
- Universal J-Box mounting pattern on back plate and conduit knockout on the sides of each unit
- Comes with built-in 7.2V 2Ah high temperature Ni-Cd battery for minimum 2 hours emergency operation
- Made of UV stabilized polycarbonate housing and light head in matching color, and has UL94V-5VA flame rating
- Full recharge time is maximum 24 hours and is suitable for +0°C to +50°C for outdoor WET locations
- Provides overcharge & over-discharge protection
- Includes test switch and charge indicator
- Fast and Easy installation in minutes
- CSA listed meets all requirement in C22.2 No. 141-15,C860 and UL924



DIMENSIONS



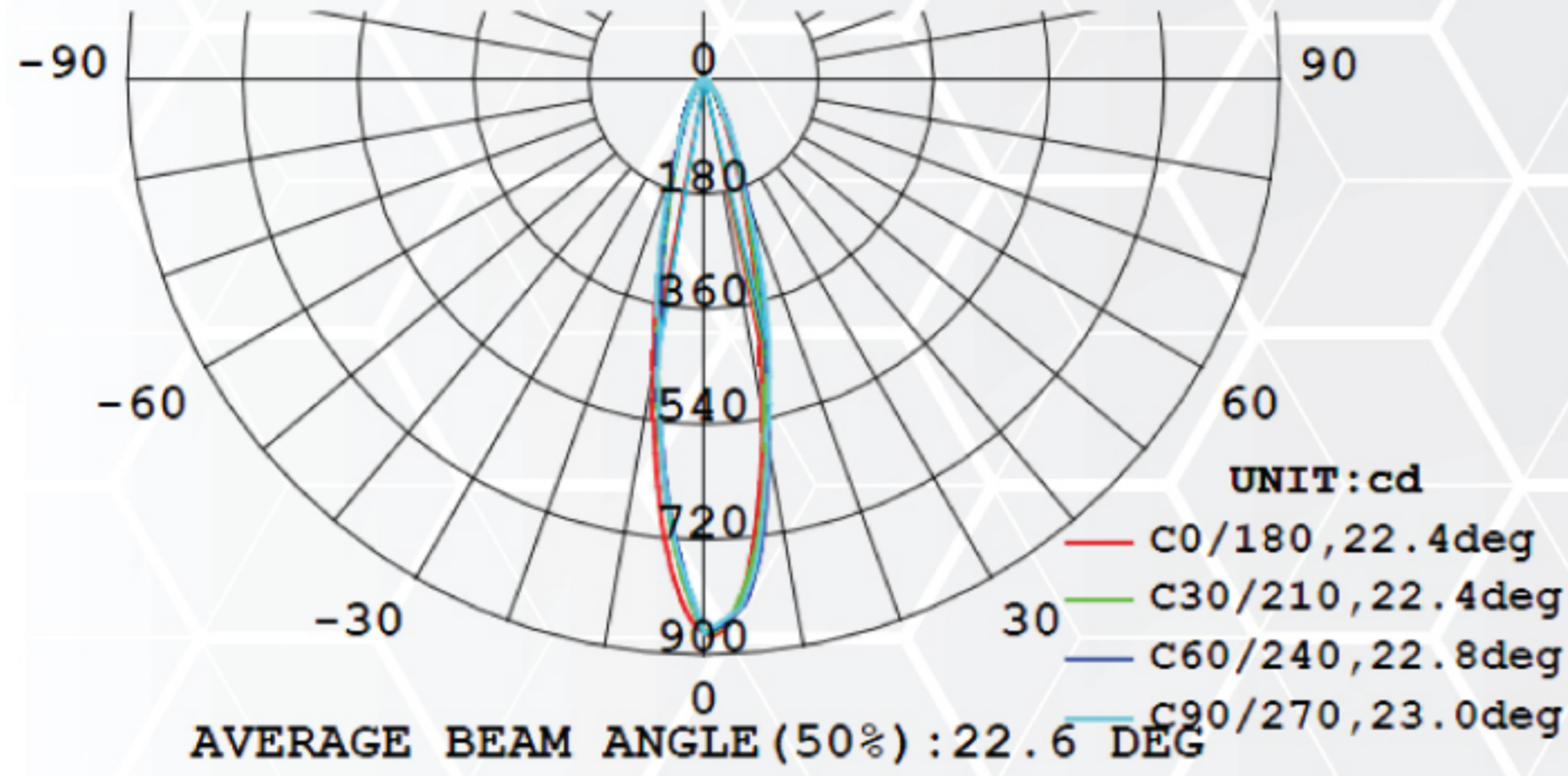
SPECIFICATIONS

Model	OE-212BP-WET
Wattage	5W (2.5W per head)
Voltage	AC120-347V, 50-60HZ
Lumens	600lm (300lm per head)
Material	Injection molded Polycarbonate housing
Warranty	3 Years
AC Charging Current	45mA
DC Charging Voltage	7.2V
Grade of Protection	IP65
DC Charging Current	180mA
Battery Battery Type	7.2V 2000mAh High Temp. Ni-Cd Battery
Emergency Duration Time	≥120 min
Discharge Current	700mA
Charge Time	24 Hours
Colour Temp.	5000K
Operating Temp.	0°C ~ +50°C
Case Quantities	2

LED EMERGENCY LIGHT

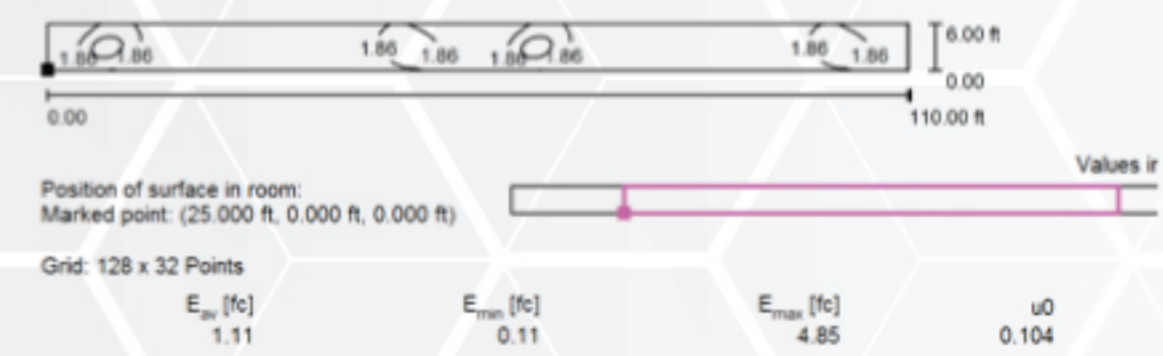
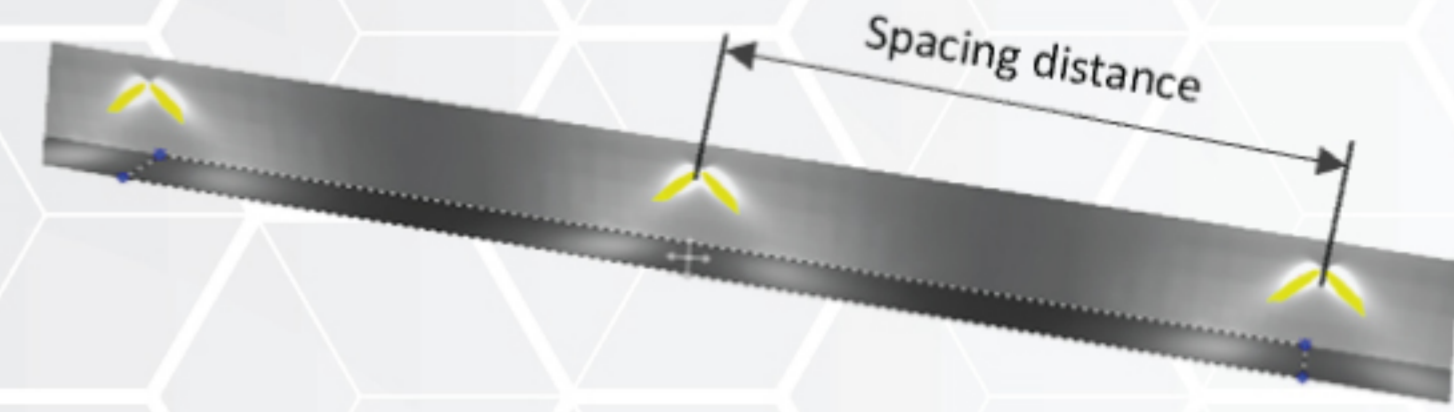
OE-212BP-WET

TESTING REPORT



Light Distribution Curve

SPACING DISTANCE



- Spacing distance Wall mount 7.5ft height: **63ft**
- Spacing distance Wall mount 10ft height: **60ft**

Compliant NFPA 101 requires 1.0 foot-candle average and 0.1 foot-candle minimum with a 40:1 maximum/minimum ratio.



Reference	QTY.	Remarks	Project:
			Location:
			Architect:
			Engineer:
			Contractor:
			Submitted by:
			Date:

ORTECH reserves the right to modify at any time, without notice, any or all of our product's features, designs, components and specifications to meet market changes.