

LED SLIM LIGHTS

SLIM4DR-5CCT

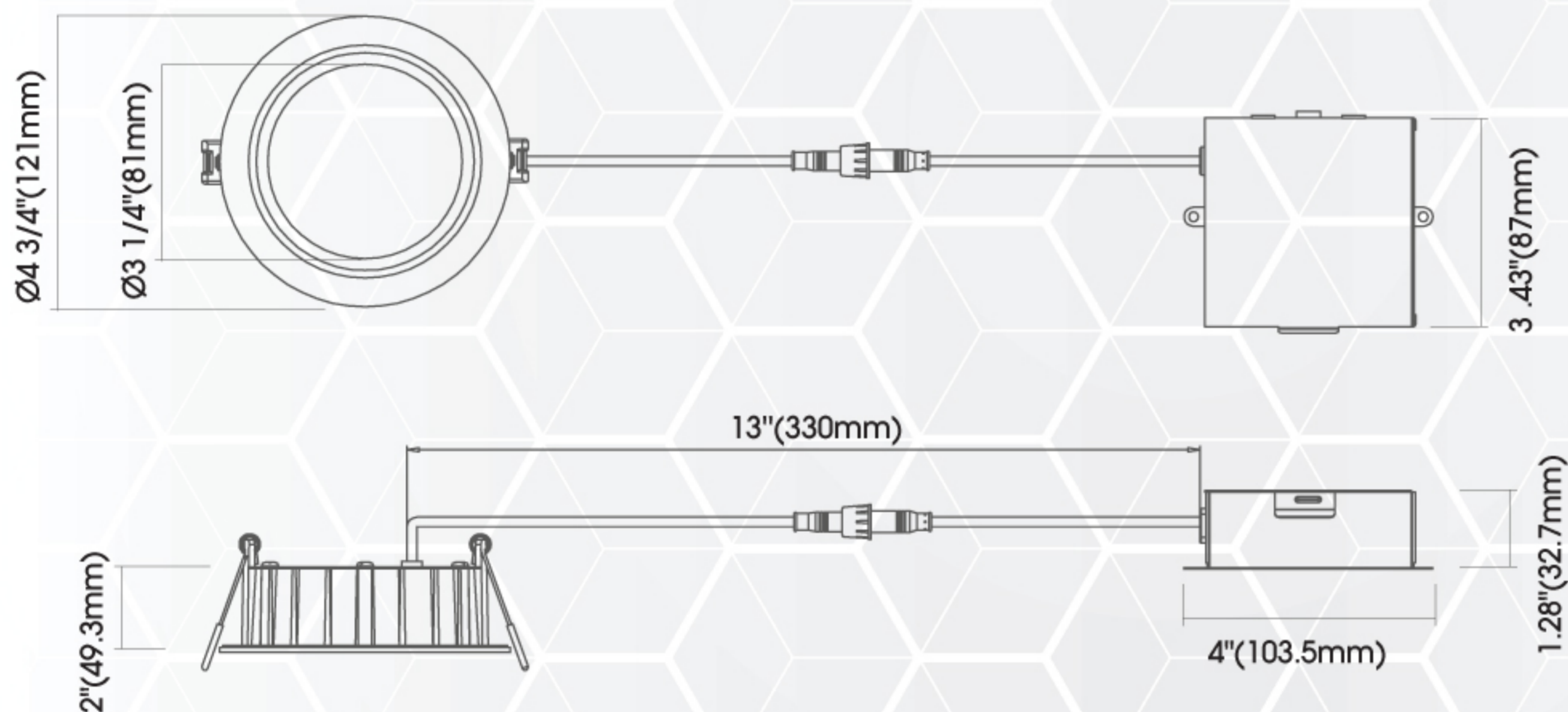
HIGHLIGHTS

4" Deep Regress Slim Panel Light With Adjustable CCT

- Edge-lit Technology, No Glare Or Dark Spots, Instant-on
- No Existing Recessed Housing Or Junction Box Required
- Dimming: Triac Down To 10%
- I.C. Rated For Direct Contact With Insulation
- Suitable For Damp Location
- Rated For A Long Life - Over 50,000 Hours
- Easy-access CCT Switch and Frosted Lens
- 5-color Field Selectable CCT- 2700K, 3000K, 3500K, 4000K, 5000K



DIMENSIONS



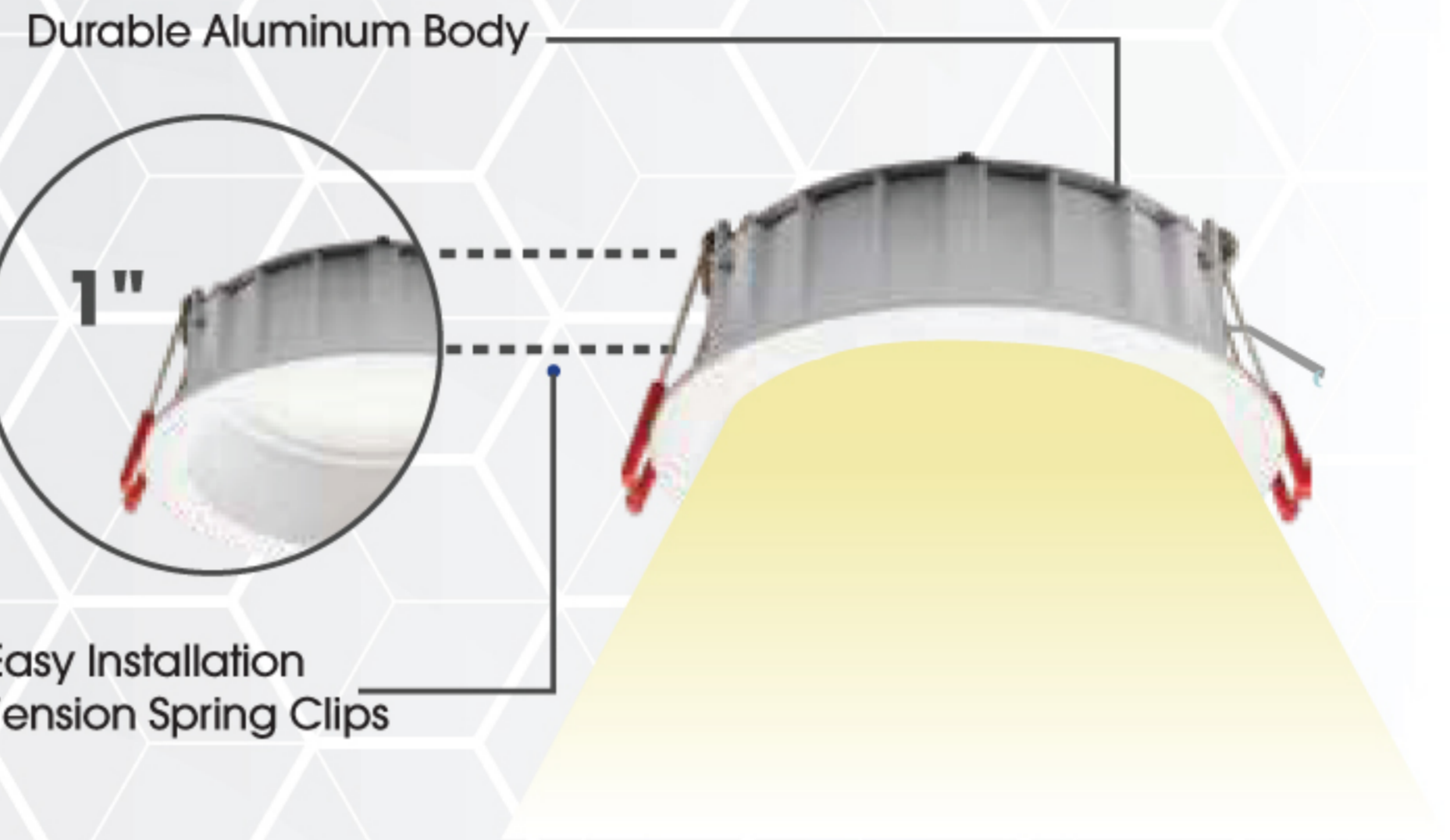
SPECIFICATIONS

Model	SLIM4DR-5CCT
Wattage	12W
Voltage	AC120V, 60Hz
Lumens	750lm
Beam Angle	100°
Lifetime	50000 hours
Air Tight	Yes
Rating	IC rated Damp locations
Grade of Protection	IP44
CRI	80Ra
Colour Temp.	2700K / 3000K / 3500K / 4000K / 5000K
Dimming	Triac Dimming
Operating Temp.	-20°C ~ +40°C
Case Quantities	18

LED SLIM LIGHTS

SLIM4DR-5CCT

INSTALLATION



ACCESSORIES (SOLD SEPARATELY)

EXTENSION CABLES



CORD A24/A120

MOUNTING PLATES



PLATE 26-4



PLATE 4-HB

TRIMS



SLIM4DR-TRIM-BK



SLIM4DR-TRIM-HZ

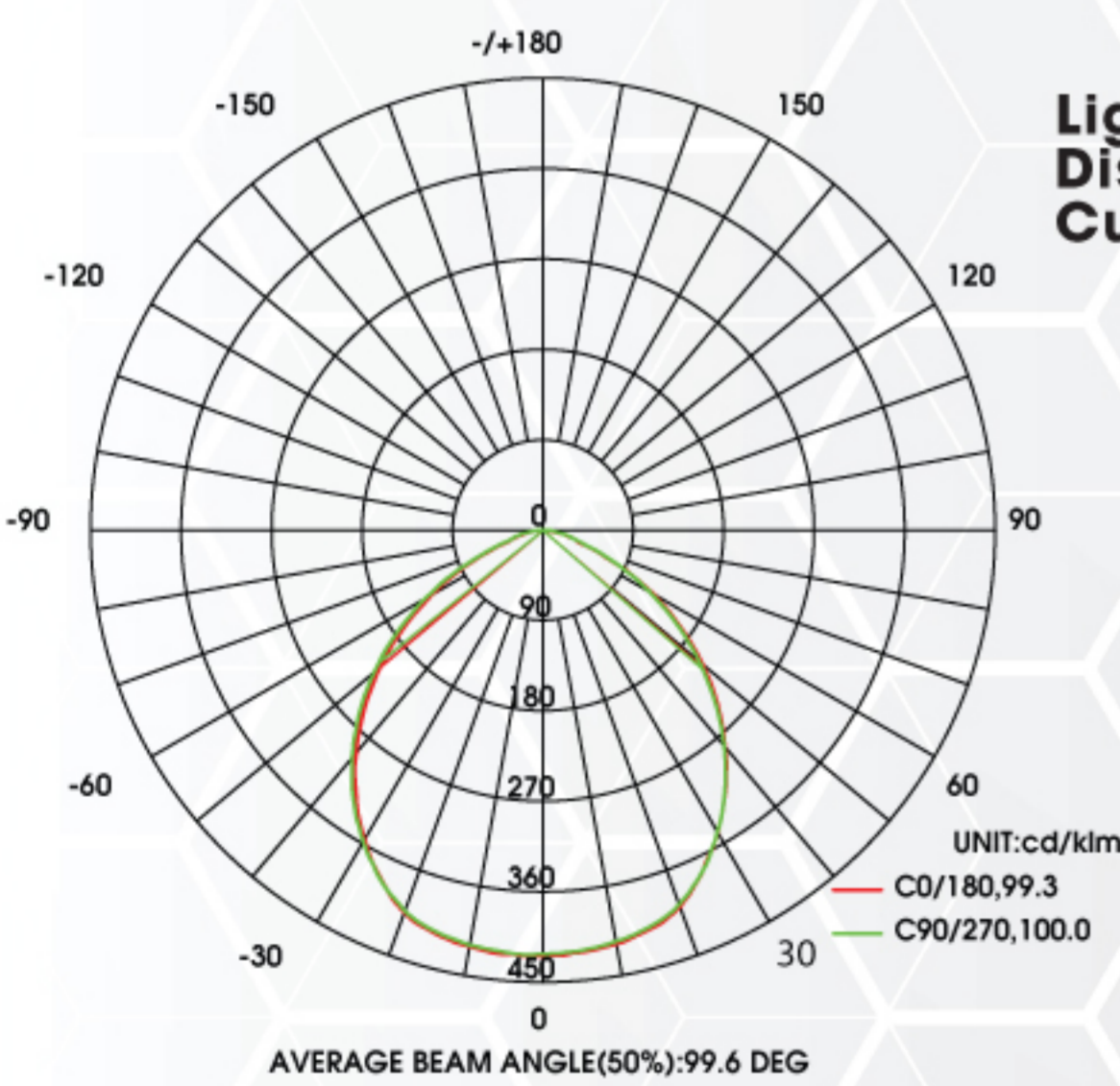


SLIM4DR-TR-WHBA

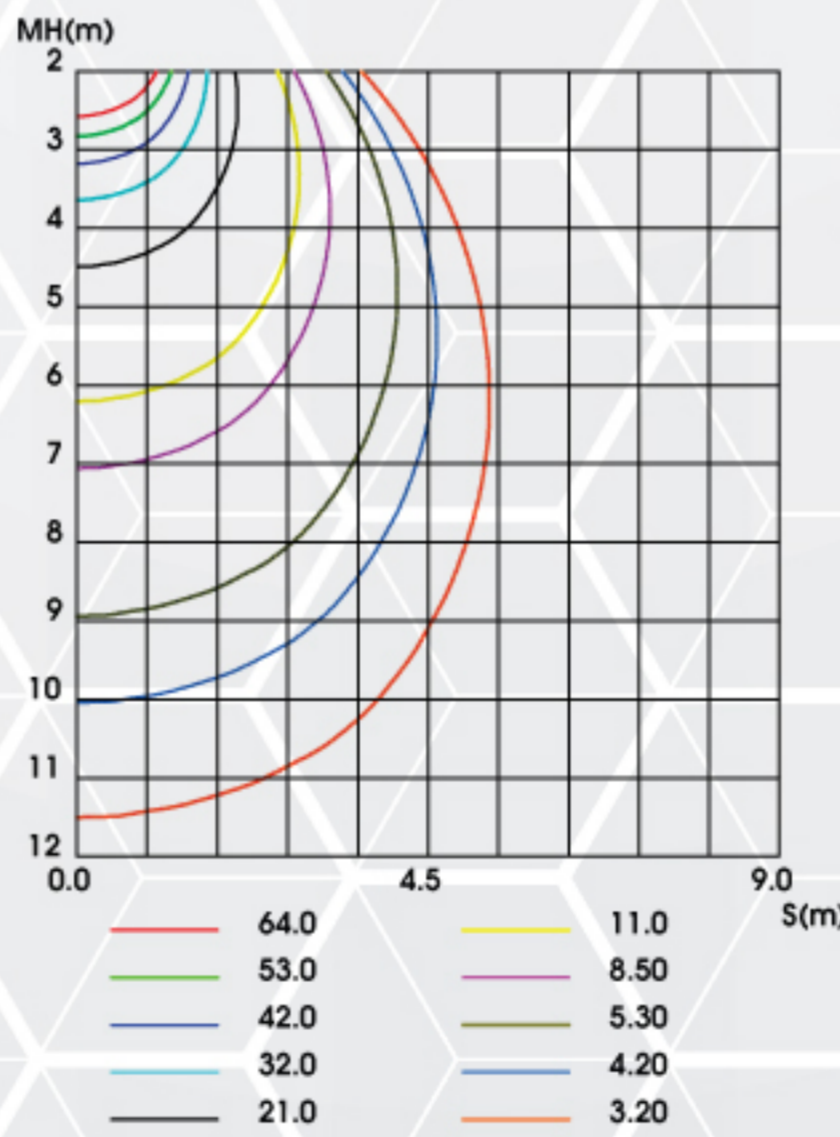


SLIM4DR-TR-WHCL

TESTING REPORT



Light Distribution Curve



C0 PLANE ISOLUX DIAGRAM (UNIT: lx/klm)



Reference	QTY.	Remarks	Project:
			Location:
			Architect:
			Engineer:
			Contractor:
			Submitted by:
			Date:

ORTECH reserves the right to modify at any time, without notice, any or all of our product's features, designs, components and specifications to meet market changes.