

## MODEL SLIM4ID-WH



### HIGHLIGHTS

- 4" LED Slim Indirect Light with edge-lit technology, no glare or dark spots; its LED technology fits anywhere you need general light source
- Ultra slim feature fits perfectly (even with ductwork and joist) in retrofit, remodel and new constructions, airtight, wet and IC type rated
- No can or housing needed, installs right into ceiling with tension spring clips; class 2 transformer in junction box included
- IC Rated for direct contact with insulation and is compatible with industry standard TRIAC / ELV dimmers
- Depth is 3", and for the best possible Layout Depth Flexibility, it should be installed right under joists
- Perfect solution where joists or ductwork would normally prevent recessed installation
- Integrated LED fixtures with glare controlling lens for comfortable light distribution
- Install J-Box in ceiling beam, and insert light right into drywall opening
- Case Quantities: 18

### MOUNTING

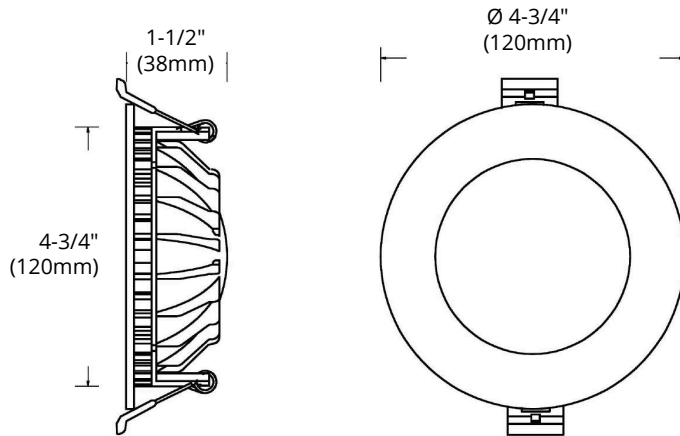
- Cut hole in ceiling and snap fixture in Opening with attached spring clips
- Ceiling clearance required: 3-1/2"

### SPECIFICATIONS

Model	<b>SLIM4ID-WH</b>
Wattage	9W
Voltage	120V AC
Lumens	550 lmn
Beam Angle	120°
Lifetime	50000 hours
Cutout	Ø 4-1/4" (108 mm)
CRI	80
Dimmable	Yes
Rating	IC Rated / Indoor use / for Damp locations
Grade of Protection	IP 44
Air Tight	Yes
Applications	Drop ceilings / Office / Attics / Hallways / Bathrooms / Kitchens / Basements
Colour Temp.	3000K-2200K (Warm White) / 5000K-4000K (Cool White to Natural White)
Operating Temp.	-20°C ~ +40°C
Warranty	5 years

## MODEL SLIM4ID-WH

### DIMENSIONS



- Pot light housing is NOT required even for insulated ceilings
- Round 4" fixtures with integral LEDs. Isolated external driver factory installed inside junction box

### PACKAGING



SLIM4ID-WH



DRIVER

in 1 Packaging

### Accessories (sold separately)



#### DMD-ELV

Single pole  
3-way dimmers



#### PLATE4-HB

Mounting Plates for  
ORTECH 4" Slim Lights



#### PLATE26-4

New Construction Plates  
for ORTECH 4" Slim Lights

Reference	QTY.	Remarks	Project:
			Location:
			Architect:
			Engineer:
			Contractor:
			Submitted by:
			Date:

ORTECH reserves the right to modify at any time, without notice, any or all of our product's features, designs, components and specifications to meet market changes.