

WALL SCONCES

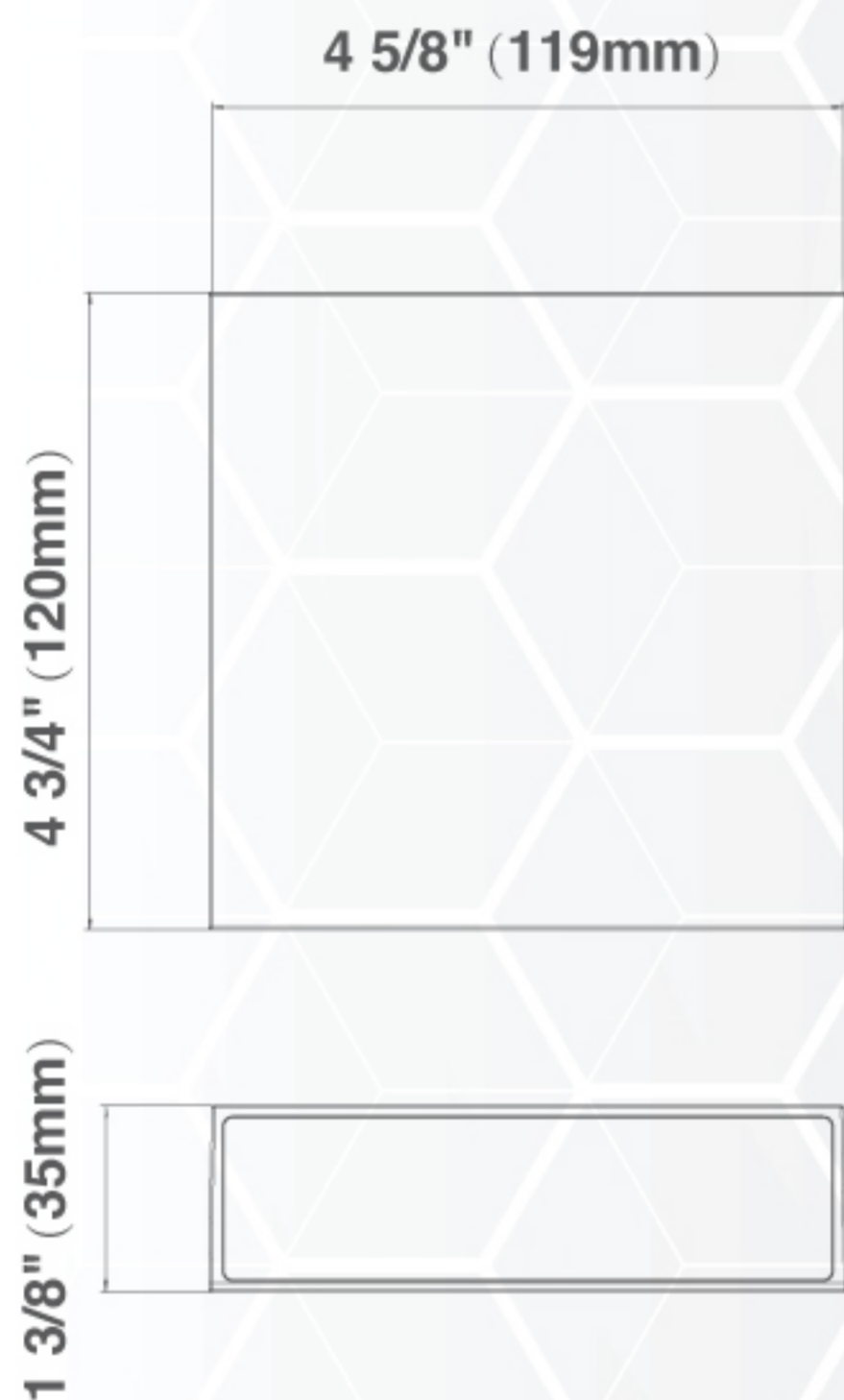
SSC-UD-5CCT-BK

HIGHLIGHTS

Low profile LED up and down wall sconce which can be used interior or exterior

- Aluminum body with glass diffuser
- Elegant design, provides a more high end looking
- 5cct - 2700K/3000K/3500K/4000K/5000K
- Dimming: AC120V/ Triac Dimming
- 50000 hours lifetime

DIMENSIONS



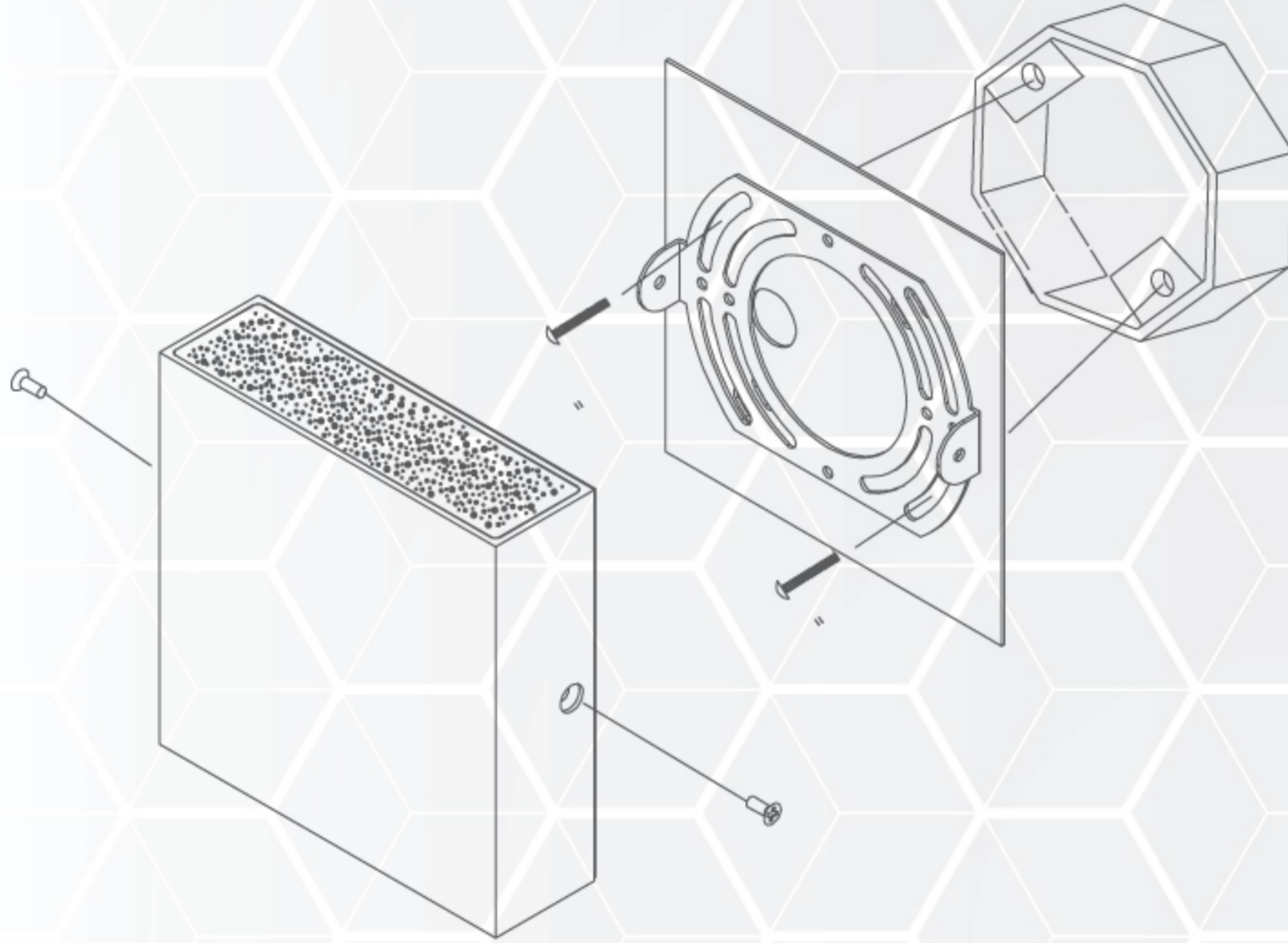
SPECIFICATIONS

Model	SSC-UD-5CCT-BK
Wattage	2x7.5W LED PCB Integrated , 15W Total
Voltage	AC120-277V, 50/60Hz
Lumens	1000lmn (50% UP/50% DOWN)
Beam Angle	110°
Lifetime	50000 hours
Dimmable	Yes
Rating	Wet locations
Grade of Protection	IP65
CRI	80
Colour Temp.	2700K / 3000K / 3500K / 4000K / 5000K
Lighting Direction	Up/Down
Operating Temp.	-20°C ~ +40°C
Case Quantities	20

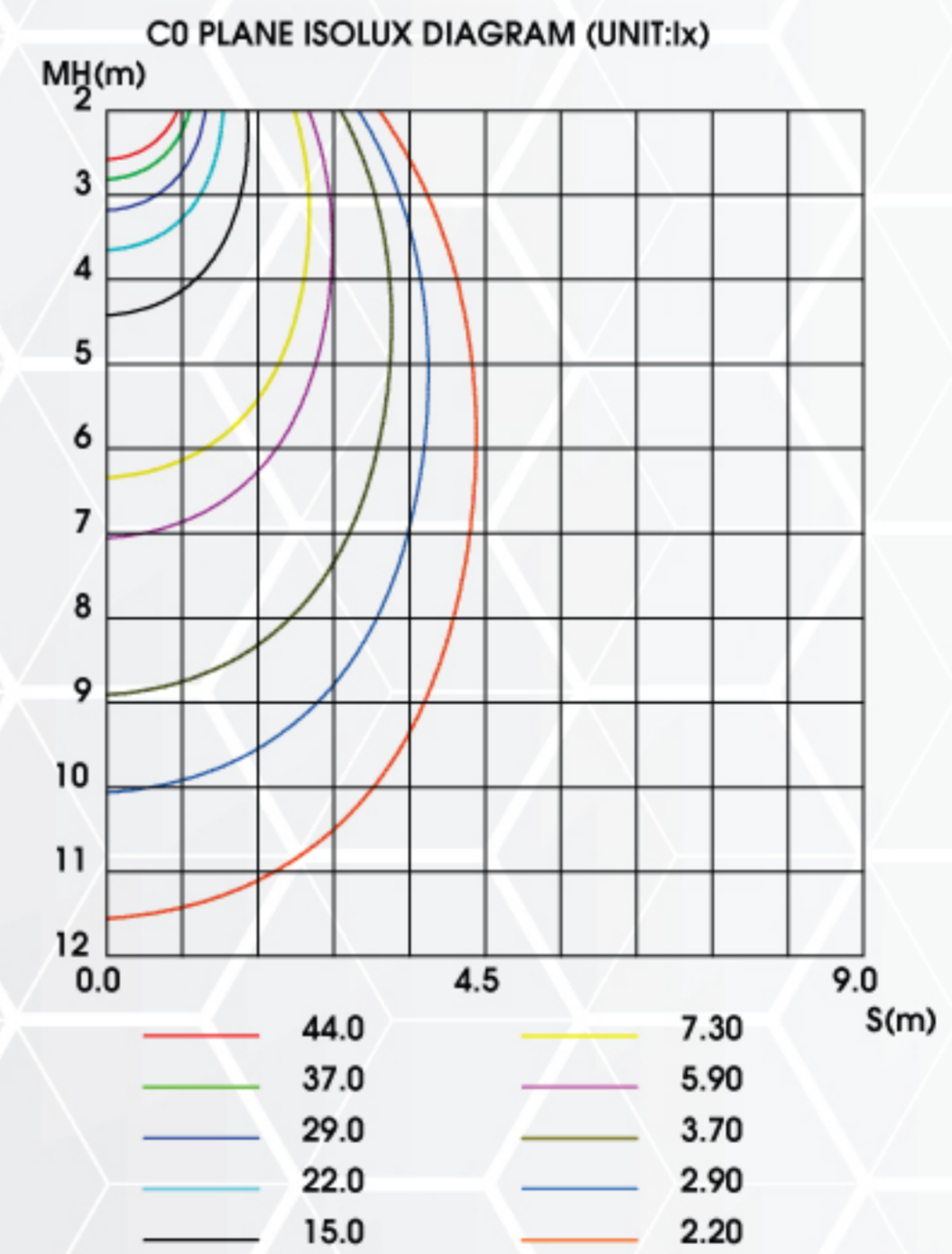
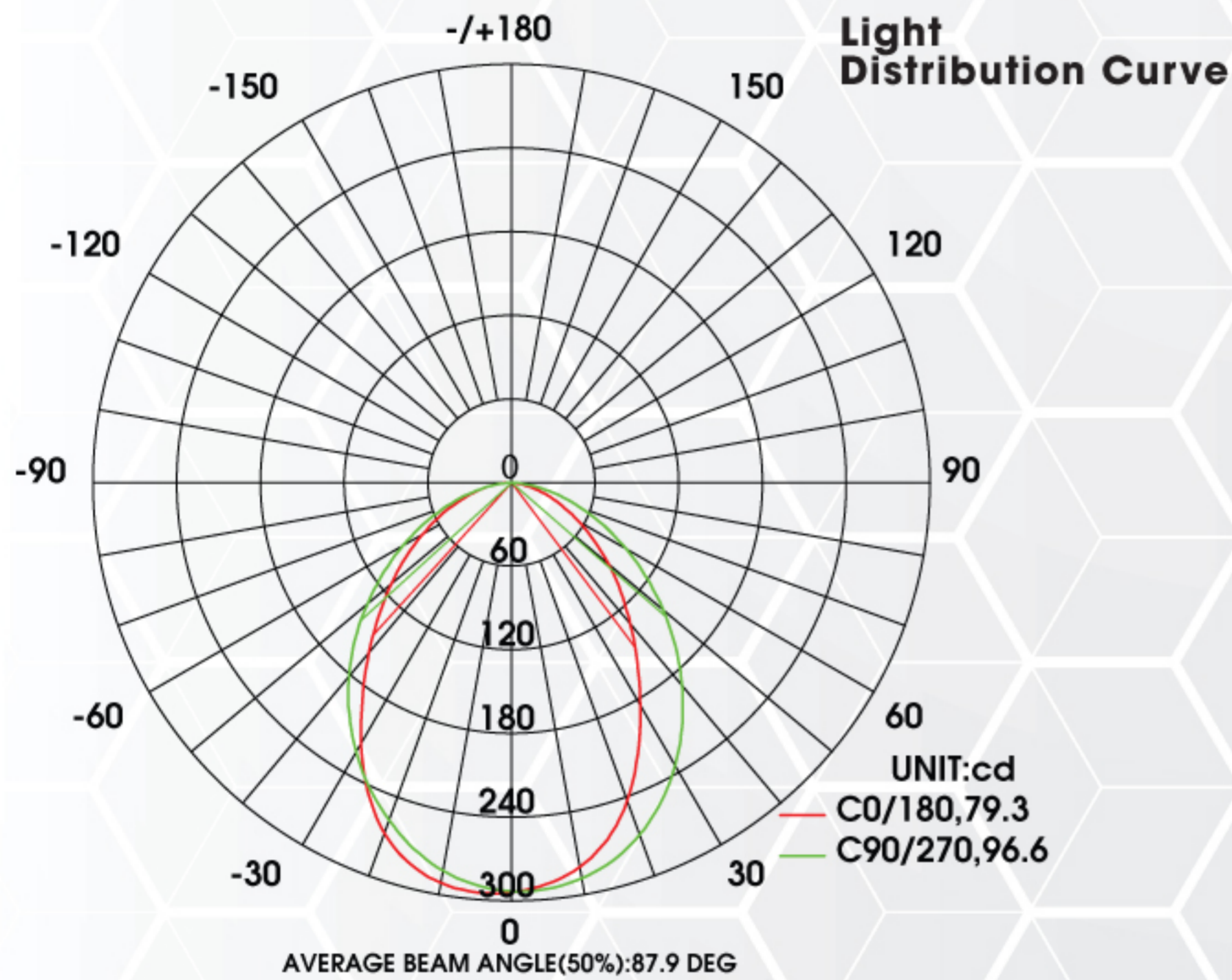
WALL SCONCES

SSC-UD-5CCT-BK

INSTALLATION



TESTING REPORT



Reference	QTY.	Remarks	Project:
			Location:
			Architect:
			Engineer:
			Contractor:
			Submitted by:
			Date:

ORTECH reserves the right to modify at any time, without notice, any or all of our product's features, designs, components and specifications to meet market changes.