

LED DOWNLIGHTS

OD-C618 | OD-C822

HIGHLIGHTS

6" and 8" Dual Selectable Round Commercial Downlights

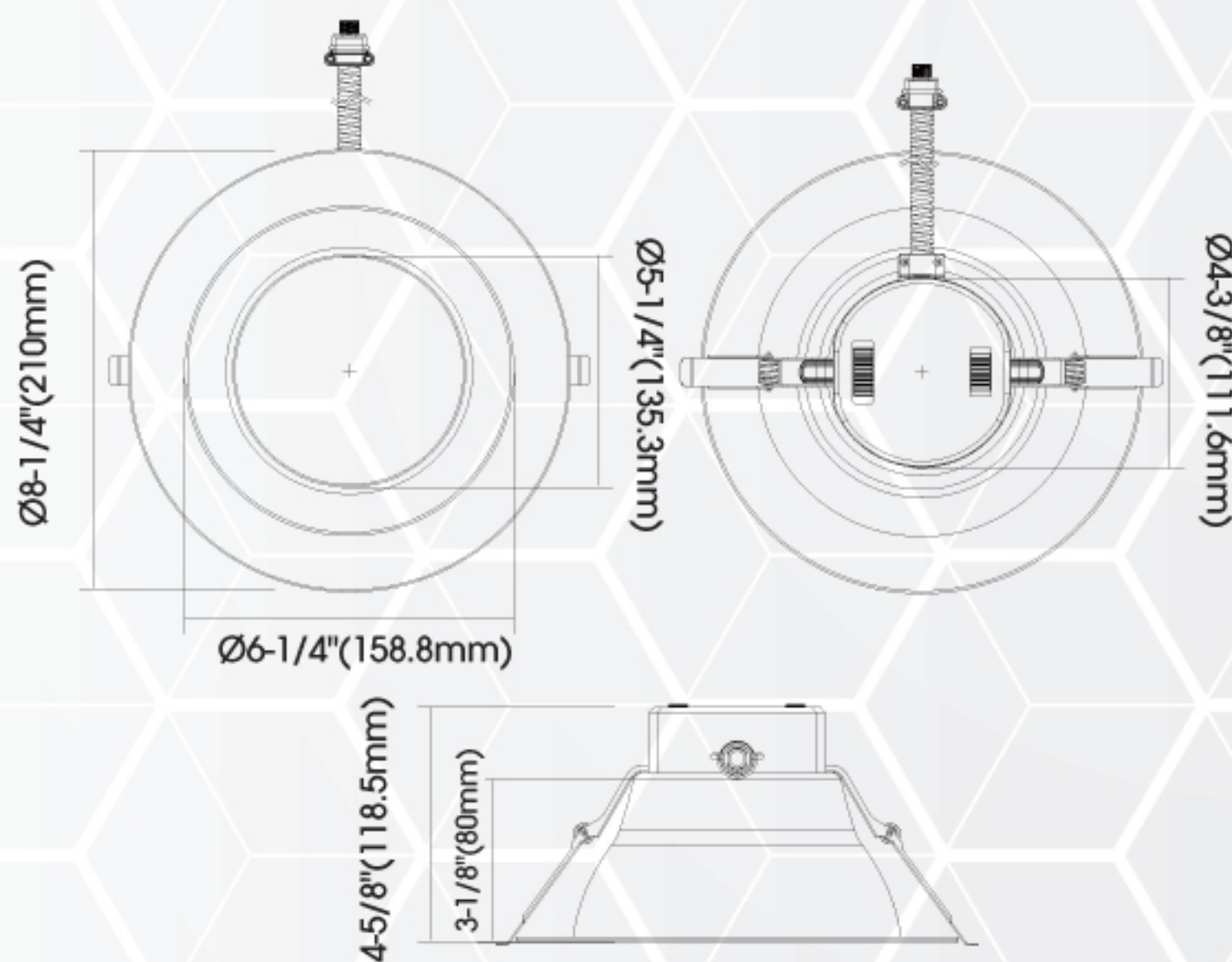
- 5CCT user selectable and 3 power options
- Universal voltage 120V-347V input
- 0-10V Dimmable
- CRI 80+ for true colour rendering
- Type IC and Air tight
- Regressed optics with low glare
- Suitable for new construction and retrofit applications



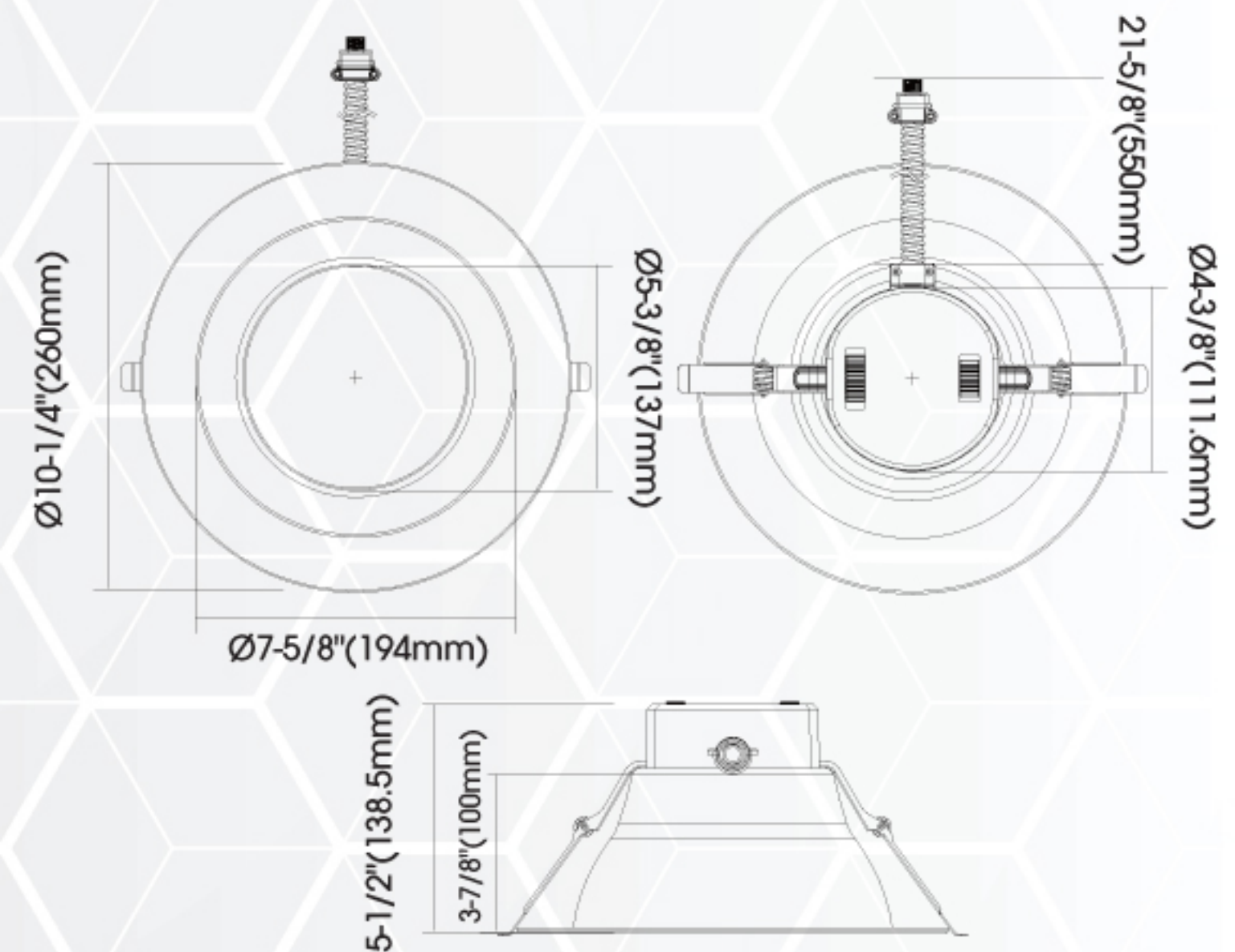
DIMENSIONS



OD-C618



OD-C822



SPECIFICATIONS

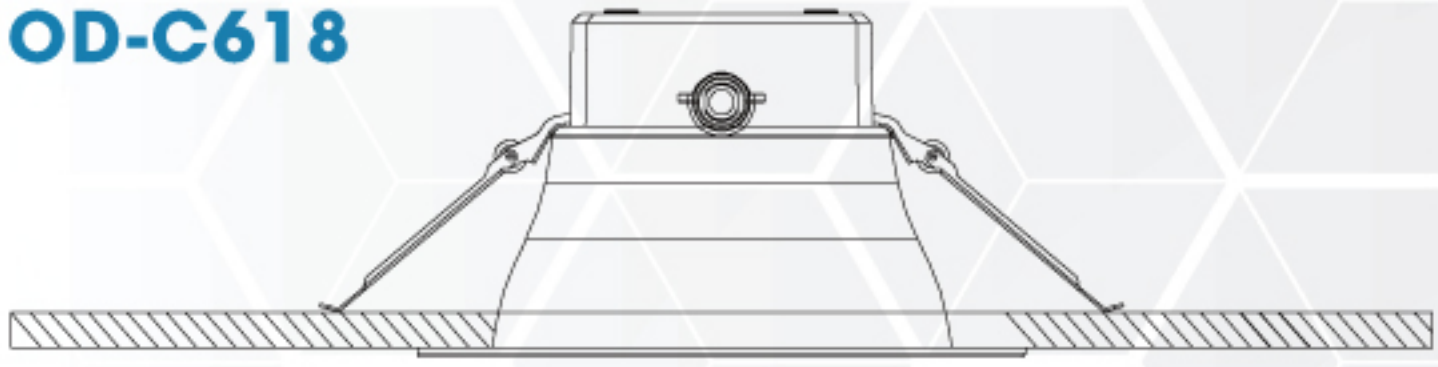
Model	OD-C618	OD-C822
Wattage	7W/10W/18W	10W/15W/22W
Default Driver Input	120-347V AC, 50-60Hz	
Beam Angle	120°	
Lumens	650lm/950lm/1600lm	950lm/1400lm/2000lm
Lifetime	50000 hours	
Air Tight	Yes	
Location	For indoor use	
Grade of Protection	IP54	
CRI	80+	
Colour Temp.	2700K/3000K/3500K/4000K/5000K	
Dimming	Yes(only 0-10v dimming available)	
Application	New construction /Retrofit, etc.	
Operating Temp.	-20°C ~ +40°C	
Case Quantities	12	

LED DOWNLIGHTS

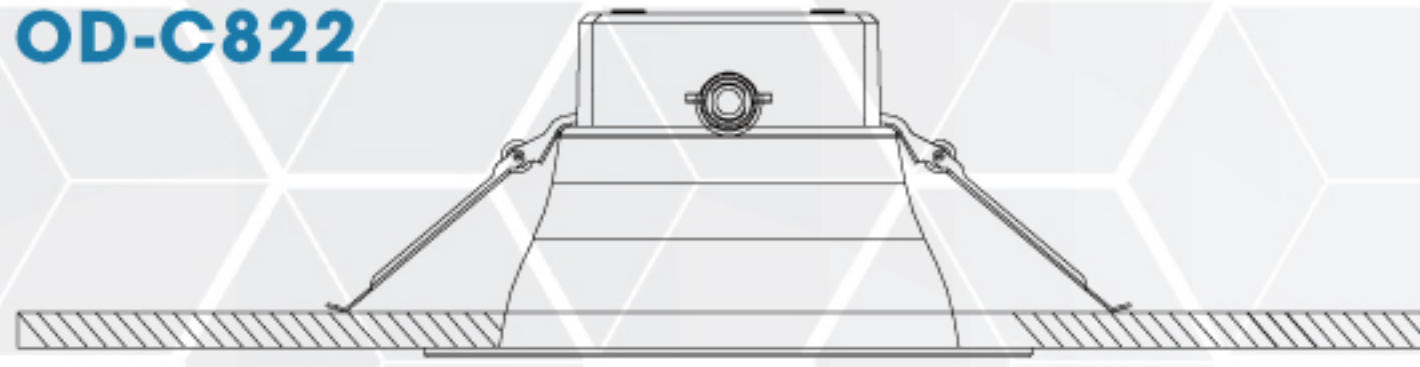
OD-C618 | OD-C822

INSTALLATION

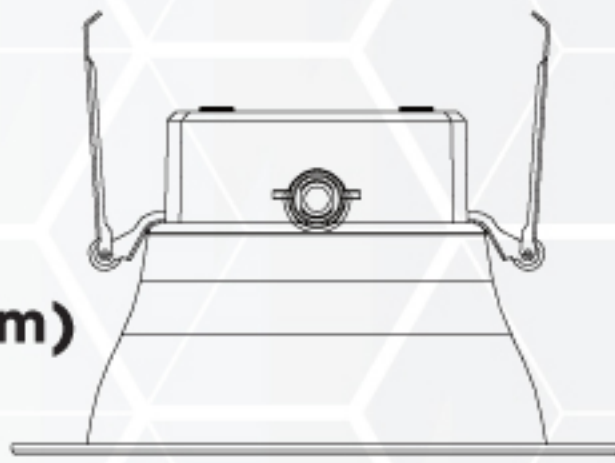
OD-C618



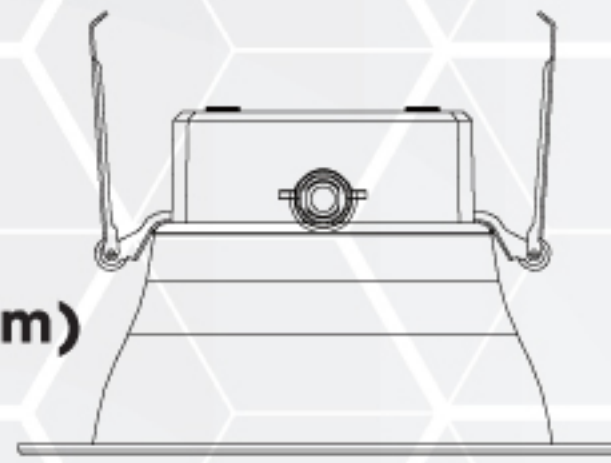
OD-C822



Cut Hole Size
Ø6-1/4" (160mm)



Cut Hole Size
Ø8-1/4" (210mm)



OD-C618



OD-C822



Reference	QTY.	Remarks	Project:
			Location:
			Architect:
			Engineer:
			Contractor:
			Submitted by:
			Date:

ORTECH reserves the right to modify at any time, without notice, any or all of our product's features, designs, components and specifications to meet market changes.