

LED Landscape Lighting — Path Lights

MODEL OD-PTB204U



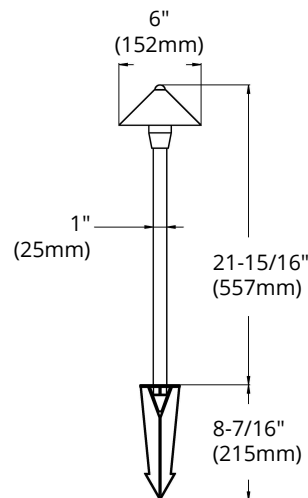
HIGHLIGHTS

- LED path light with solid brass housing
- Adds a hint of intrigue to rocks and stones, and plant beds
- Allows one to enjoy outdoor space by providing safely lit paths
- For illuminating sidewalks, stone pathways and lawn walkways
- Case Quantities: 10

SPECIFICATIONS

| | |
|-----------------|---------------------------------|
| Model | OD-PTB204U |
| Voltage | 12V AC |
| Housing | Solid brass |
| Lamp Base | GU5.3 Bi-pin base |
| Lamp | 12V G4 bulb (not included) |
| Lens | Frosted |
| Wiring | 3'18/2 UL wire, SPT-2W leads |
| Mounting Access | 18" Brass stem, Large PVC stake |
| Operating Temp. | -25°C ~ +40°C |
| Warranty | 5 years |

DIMENSIONS



| Reference | QTY. | Remarks | Project: |
|-----------|------|---------|---------------|
| | | | Location: |
| | | | Architect: |
| | | | Engineer: |
| | | | Contractor: |
| | | | Submitted by: |
| | | | Date: |

ORTECH reserves the right to modify at any time, without notice, any or all of our product's features, designs, components and specifications to meet market changes.