

LED Landscape Lighting — Path Lights

MODEL OD-PTB214U



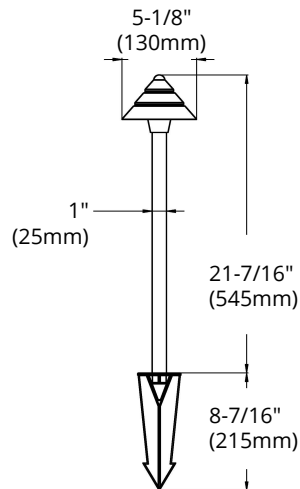
HIGHLIGHTS

- LED path light with solid brass housing
- Adds a hint of intrigue to rocks and stones, and plant beds
- Allows one to enjoy outdoor space by providing safely lit paths
- For illuminating sidewalks, stone pathways and lawn walkways
- Case Quantities: 10

SPECIFICATIONS

Model	OD-PTB214U
Voltage	12V AC
Housing	Solid brass
Lamp Base	GU5.3 Bi-pin base
Lamp	12V G4 bulb (not included)
Lens	Frosted
Wiring	3'18/2 UL wire, SPT-2W leads
Mounting Access	18" Brass stem, Large PVC stake
Operating Temp.	-25°C ~ +40°C
Warranty	5 years

DIMENSIONS



Reference	QTY.	Remarks	Project:
			Location:
			Architect:
			Engineer:
			Contractor:
			Submitted by:
			Date:

ORTECH reserves the right to modify at any time, without notice, any or all of our product's features, designs, components and specifications to meet market changes.