

# LED Landscape Lighting — Hardscape Lights

## MODEL OD-HSA201U



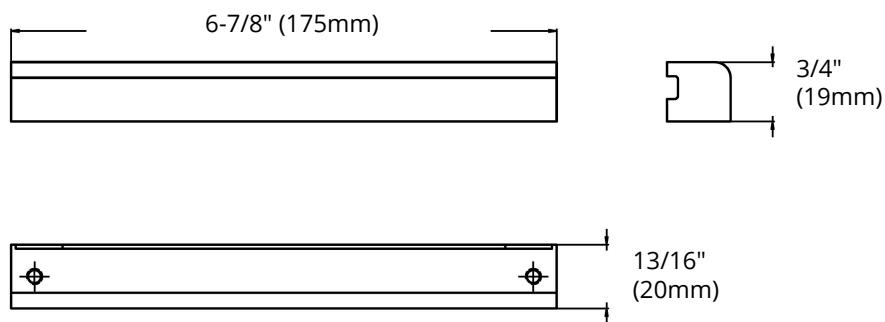
### HIGHLIGHTS

- LED hardscape light with aluminum housing
- Enhances the colours and shapes of the hardscape area being lit
- Can be mounted under a horizontal cap or flush to a vertical or horizontal surface
- Case Quantities: 20

### SPECIFICATIONS

Model	<b>OD-HSA201U</b>
Wattage	4W
Voltage	12V AC
Housing	Aluminum
Lens	Clear
Wiring	3'18/2 UL wire, SPT-2W leads
Mounting Access	3pcs stainless steel bracket
Colour Temp.	2700K (Warm White)
Operating Temp.	-25°C ~ +40°C
Warranty	5 years

### DIMENSIONS



Reference	QTY.	Remarks	Project:
			Location:
			Architect:
			Engineer:
			Contractor:
			Submitted by:
			Date:

ORTECH reserves the right to modify at any time, without notice, any or all of our product's features, designs, components and specifications to meet market changes.