

# LED Landscape Lighting — Aluminum Landscape Fixtures

## MODEL OD-PTA201



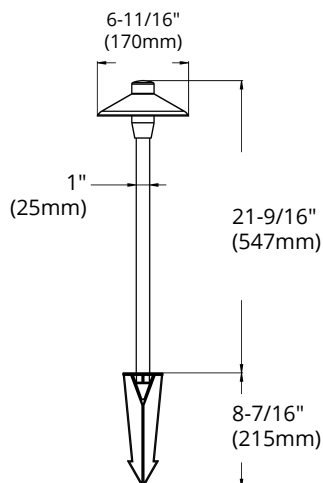
### HIGHLIGHTS

- Black LED Aluminum Landscape Fixture
- Durable powered coating guaranteed to survive the harshest environments
- Excellent choice when considering about one's budget and product performance
- Case Quantities: 10

### SPECIFICATIONS

Model	<b>OD-PTA201</b>
Voltage	12V AC
Housing	Aluminum
Lamp Base	GU5.3 Bi-pin base
Lamp	12V G4 bulb (not included)
Lens	Frosted
Wiring	3'18/2 UL wire, SPT-2W leads
Mounting Access	18" Aluminum stem, Regular PVC stake
Operating Temp.	-25°C ~ +40°C
Warranty	5 years

### DIMENSIONS



Reference	QTY.	Remarks	Project:
			Location:
			Architect:
			Engineer:
			Contractor:
			Submitted by:
			Date:

ORTECH reserves the right to modify at any time, without notice, any or all of our product's features, designs, components and specifications to meet market changes.