

MODEL SDF200



HIGHLIGHTS

- Can be ceiling or wall mounted
- Superior European designed external rotor motor technology increases performance under any extreme restrictive duct design
- Includes a hinged access door with integrated mounted motor to simplify period servicing

SPECIFICATIONS

Model	0.1"	0.2"	0.3"	0.4"	0.5"	0.6"	0.7"	0.8"	0.9"	1.0"	Amps (FLA)	Fan Speed (RPM)
SDF200	206	203	196	190	183	176	168	160	153	144	0.9	2600
Sones	2.5	2.8	3.2	3.6	N/A	N/A	N/A	N/A	N/A	N/A		

Model	Dimensions	Intake	Discharge
SDF200	10-1/2" x 11" x 6" (267mm x 279 mm x 152mm)	5" (127 mm)	5" (127 mm)

Add ons (Optional)



Amp Sensor
AS-0, AS-5



Pressure Sensor
SDS-10

• Fan Weight: 12 lb | Case Quantities: 1

HOUSING

- Built-in back draft damper
- Painted galvanized steel housing
- Hinged impeller for ease of cleaning and maintenance

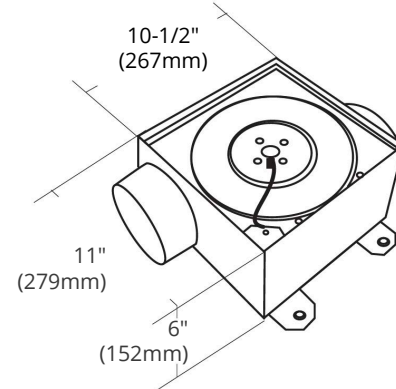
MOUNTING

- Designed to be ceiling or wall mounted
- Rubber grommets MUST be attached to isolate housing from the structure (Rubber grommets are pre installed on mounting bracket)
- Supplied with two permanently attached brackets with pre-drilled holes for easy installation

MOTOR / BLOWER

- Power rating should be 120V/60Hz
- Backward inclined blower wheel for smooth & quiet operation
- Motor comes with a built-in overload disconnect for safety & longer motor life
- Capacitor start external rotor 4 pole motor comes with a lifetime lubrication for continuous operation

**SDF200
Dimensions
Diagram**



Reference	QTY.	Remarks	Project:
			Location:
			Architect:
			Engineer:
			Contractor:
			Submitted by:
			Date:

ORTECH reserves the right to modify at any time, without notice, any or all of our product's features, designs, components and specifications to meet market changes.