

# Compact Series

**NEXT GENERATION**  
Ultimate fan solutions



**MODEL ODC-1008 | ODC-9008 | ODC-8003**

Product Specification Sheet



## HIGHLIGHTS

- Very quiet fan for ceiling or wall mounted Hold and ETL evaluation and conform to UL and cUL safety standards. HVI and ENERGY STAR® certified
- It comes with a capacitor start motor which is known for its high efficiency and long lasting reliability. It holds an ETL evaluation and conforms to UL and cUL safety standards

## SPECIFICATIONS

Model	ODC-1008		ODC-9008		ODC-8003	
Static Pressure in inches w.g.	0.1	0.25	0.1	0.25	0.1	0.25
Air Volume (CFM)	100	90	90	81	80	62
Noise (sones)	0.8	1.2	0.8	1	< 0.3	0.9
Fan Watts	22.9W	22.1W	22W	21W	16.2W	15.5W
Duct Diameter	4"					
Power Rating (V/Hz)	120/60					

- **Housing Size:** 8-1/2" x 9" x 5-3/4" (216 mm x 229 mm x 146 mm)
- **Grille Dimensions:** 11-13/16" x 11-7/16" (300 mm x 290 mm)
- **Fan Weight:** 7.4 lb
- **Case Quantities:** 6

## HOUSING

- Made of rugged 26 GA galvanized steel
- Detachable 4 inch polymeric collar which includes a light weight built-in back draft damper

## MOTOR / BLOWER

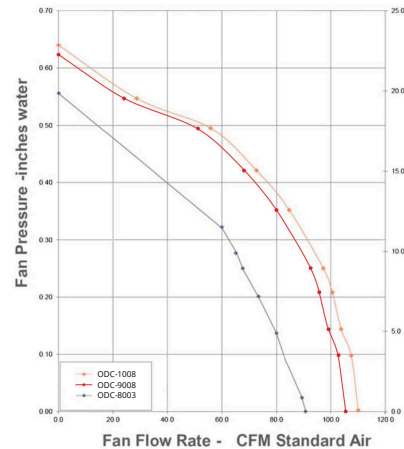
- Plug in permanently lubricated motor — Engineered for continuous operation
- Motor comes with a built-in overload disconnect for safety and longer motor life

## GRILLE

- The grille is low profile that has elegance and still able to maintain its simplicity

## TYPICAL SPECIFICATIONS

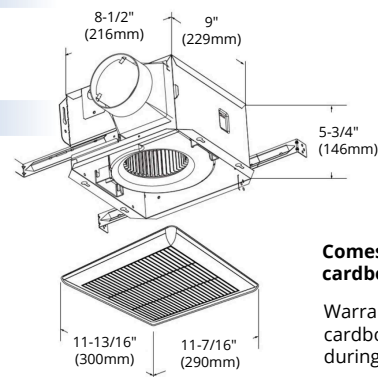
- Ceiling ventilator shall have corrosion resistance galvanized steel
- It shall be ducted to a roof vent or wall cap using 4 inch round pipe
- Blower assembly shall be removable, have a centrifugal type blower wheel and a permanently lubricated motor designed for continuous operation
- Includes an attachable non-metallic collar with built-in back draft damper
- Air and sound delivery meet the ENERGY STAR® certified ratings as per the fan curves attached



Model	Static Pressure (SP)									
	0.640 SP	0.547 SP	0.495 SP	0.421 SP	0.352 SP	0.250 SP	0.208 SP	0.144 SP	0.098 SP	0.002 SP
<b>ODC-1008</b>	0.00 CFM	28.7 CFM	55.9 CFM	72.7 CFM	84.8 CFM	97.3 CFM	100.6 CFM	103.8 CFM	107.5 CFM	110.1 CFM

Model	Static Pressure (SP)									
	0.640 SP	0.547 SP	0.495 SP	0.421 SP	0.352 SP	0.250 SP	0.208 SP	0.144 SP	0.098 SP	0.002 SP
<b>ODC-9008</b>	0.00 CFM	28.7 CFM	55.9 CFM	72.7 CFM	84.8 CFM	97.3 CFM	100.6 CFM	103.8 CFM	107.5 CFM	110.1 CFM

Model	Static Pressure (SP)									
	0.545 SP	0.454 SP	0.409 SP	0.368 SP	0.335 SP	0.288 SP	0.250 SP	0.173 SP	0.100 SP	0.001 SP
<b>ODC-8003</b>	0.00 CFM	26.1 CFM	39.4 CFM	44.7 CFM	49.8 CFM	55.9 CFM	62.6 CFM	72.3 CFM	80.2 CFM	89.4 CFM



**Comes with protective cardboard cover**

Warranty is voided if the cardboard is removed anytime during construction.

Reference	QTY.	Remarks	Project:
			Location:
			Architect:
			Engineer:
			Contractor:
			Submitted by:
			Date: