

## MODEL ODM-5004 | ODM-8010



### HIGHLIGHTS

- Ultra Silent, High Performance
- Very quiet fan for ceiling or wall mounted Hold and ETL evaluation and ENERGY STAR® certified
- It comes with a capacitor start motor which is known for its high efficiency and long lasting reliability
- It holds an ETL evaluation

### SPECIFICATIONS

Model	ODM-5004		ODM-8010	
Static Pressure in inches w.g.	0.1	0.25	0.1	0.25
Air Volume (CFM)	50	38	80	71
Noise (sones)	0.4	1.0	1.0	1.5
Fan Watts	15.8W	14.8W	22W	20.7W
Duct Diameter	4"			
Power Rating (V/Hz)	120/60			

- **Housing Size:** 7-1/2" x 7-1/4" x 5-5/8" (191 mm x 184 mm x 143 mm)
- **Grille Dimensions:** 8-3/4" x 9-1/2" (222 mm x 241 mm)
- **Case Quantities:** 8

### HOUSING

- Made of rugged 26 GA galvanized steel
- Detachable 4 inch polymeric collar which includes a light weight built-in back draft damper

### MOTOR / BLOWER

- Plug in permanently lubricated motor — Engineered for continuous operation
- Power rating should be 120V and 60Hz
- Motor comes with a built-in overload disconnect for safety and longer motor life

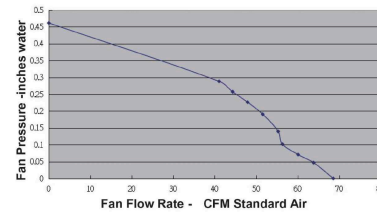
### GRILLE

- The grille is low profile that has elegance and still able to maintain its simplicity

### TYPICAL SPECIFICATIONS

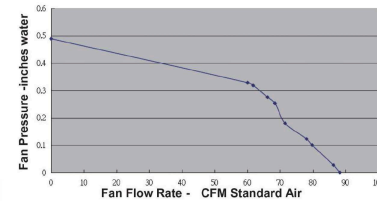
- Ceiling ventilator shall have corrosion resistance galvanized steel
- It shall be ducted to a roof vent or wall cap using 4 inch round pipe
- Blower assembly shall be removable, have a centrifugal type blower wheel and a permanently lubricated motor designed for continuous operation
- Includes an attachable non-metallic collar with built-in back draft damper
- Air and sound delivery meet the ENERGY STAR® certified ratings as per the fan curves attached

**ODM-5004**

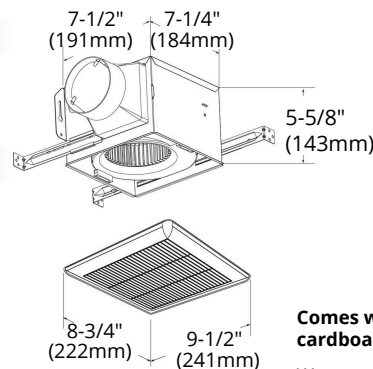


Model	Static Pressure (SP)									
	0.422 SP	0.426 SP	0.403 SP	0.348 SP	0.247 SP	0.173 SP	0.148 SP	0.103 SP	0.050 SP	0.001 SP
<b>ODM50</b>	0.00 CFM	10.5 CFM	21.00 CFM	33.7 CFM	42.3 CFM	48.1 CFM	50.1 CFM	52.8 CFM	55.1 CFM	62.2 CFM

**ODM-8010**



Model	Static Pressure (SP)									
	0.470 SP	0.414 SP	0.365 SP	0.317 SP	0.248 SP	0.199 SP	0.158 SP	0.098 SP	0.057 SP	0.000 SP
<b>ODM-8010</b>	0.00 CFM	40.1 CFM	53.6 CFM	64.8 CFM	71.6 CFM	76.1 CFM	78.4 CFM	80.0 CFM	83.7 CFM	89.1 CFM



**Comes with protective cardboard cover**

Warranty is voided if the cardboard is removed anytime during construction.

Reference	QTY.	Remarks	Project:
			Location:
			Architect:
			Engineer:
			Contractor:
			Submitted by:
			Date: