



### HIGHLIGHTS

- Holds an ETL evaluation and conforms to UL and cUL safety standards
- It comes with a DC motor which is known for its high efficiency and long lasting reliability
- Ventilating fan should be ceiling mounted and capable of exhausting air quietly and efficiently

### SPECIFICATIONS

Model	ODD-500-4							
Static Pressure in inches w.g.	0.1	0.25	0.1	0.25	0.1	0.25	0.1	0.25
Air Volume (CFM)	202	153	302	251	401	336	504	445
Noise (sones)	0.4	1.4	1.4	1.9	2.8	2.9	4.6	5.7
Fan Watts	12W	18W	22W	27W	38W	41W	66W	70W
Duct Diameter	8"							
Power Rating (V/Hz)	120/60							

- **Housing Size:** 14-1/4" x 14-1/4" x 9" (362 mm x 362 mm x 229 mm)
- **Grille Dimensions:** 17-1/4" x 17-3/4" (438 mm x 451 mm)
- **Case Quantities:** 1

### HOUSING

- Made of rugged 26 GA galvanized steel
- 8" diameter metal duct which includes a light-weight built-in back draft damper
- Double hanger bar mounting brackets that are adjustable up to 26 inch span allows for ideal positioning

### MOTOR / BLOWER

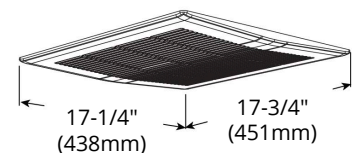
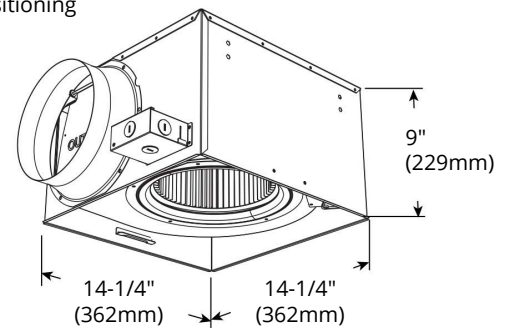
- The motor is energy efficient
- Our Supreme series operates at lower RPM's to give you quieter operation
- Plug in permanently lubricated motor is engineered for continuous operation
- Fan shall be ETL and cETL listed for tub/shower enclosure when used with GFCI branch circuit

### GRILLE

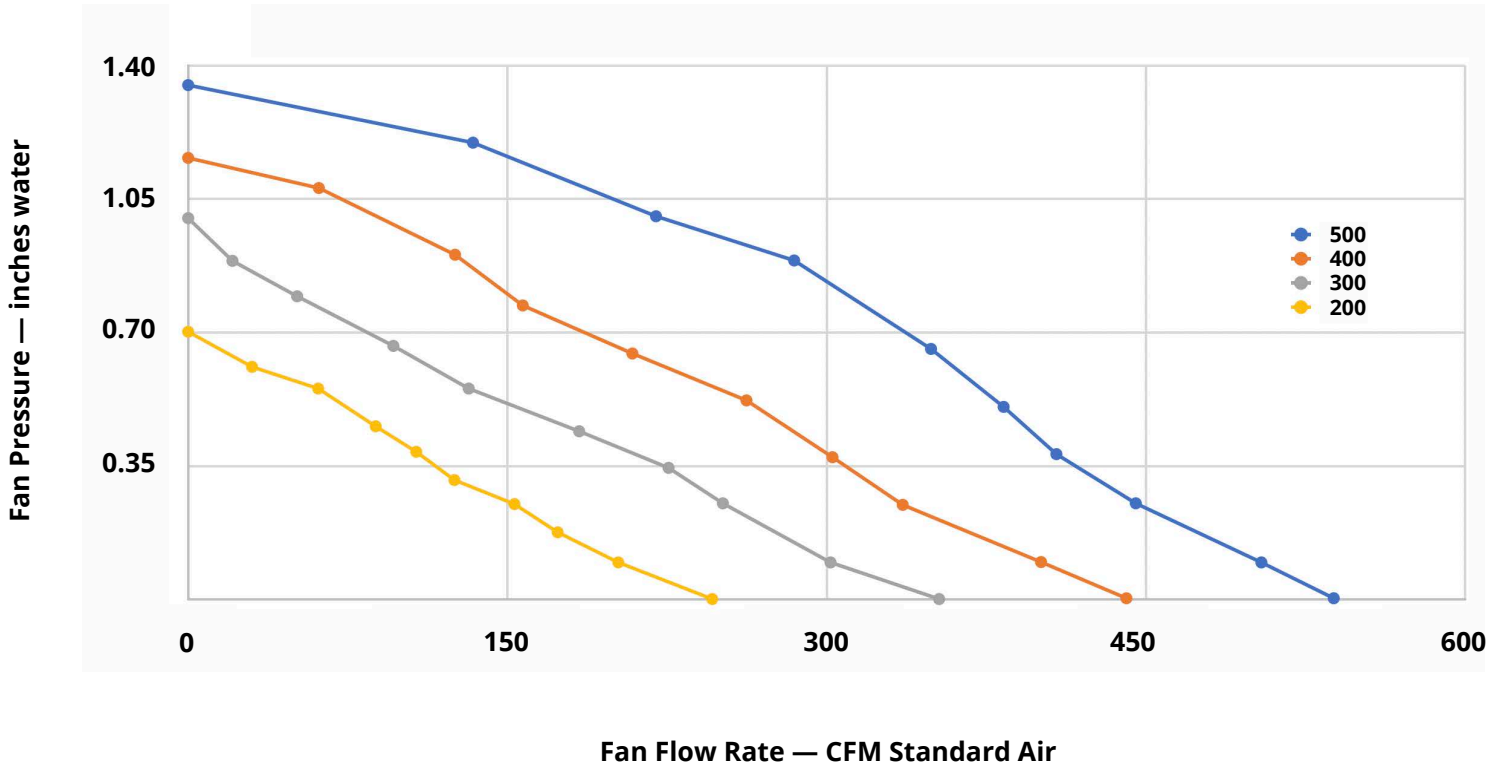
- Comes with torsion spring clips that helps mount grille evenly
- Made of rugged polymeric resin that is known for its long life durability

### TYPICAL SPECIFICATIONS

- It shall be ducted to a roof vent or wall cap using 8 inch round duct
- Ceiling ventilator shall have corrosion resistance galvanized steel housing with 4 point mounting capability
- Blower assembly shall be removable, have a centrifugal type blower wheel and a permanently lubricated motor designed for continuous operation



**FAN CURVE GRAPH**



Fan Flow Rate — CFM Standard Air

**ODD-500-4**



**Comes with protective cardboard cover**

Warranty is voided if the cardboard is removed anytime during construction.

Reference	QTY.	Remarks	Project:
			Location:
			Architect:
			Engineer:
			Contractor:
			Submitted by:
			Date:

ORTECH reserves the right to modify at any time, without notice, any or all of our product's features, designs, components and specifications to meet market changes.