

MODEL OE-316-WET



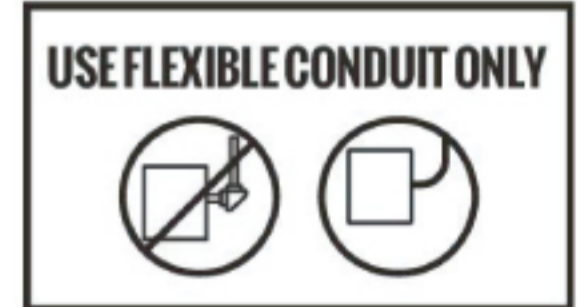
WARNING

WARNING — THE INSTALLATION MUST BE CARRIED OUT BY A QUALIFIED ELECTRICIAN.

1. LED Exit Signs are for INDOOR USE ONLY
2. Please keep the LED Exit Signs away from any corrosive substance, and please use dry cloth when you clean it
3. LED Exit Signs can only be installed by a qualified electrician
4. Before installation or maintenance, please disconnect the power to prevent electric shock

Application Notice

1. All electrical connections MUST be in accordance with local codes, ordinances and the National Electric Code
2. Equipment should be mounted in locations and at heights where it will not be subjected to tampering by unauthorized personnel
3. The use of accessory equipment is not recommended by the manufacturer. DO NOT use the LED Exit Sign other than intended use
4. DO NOT mount in hazardous locations or near gas or electric heaters. DO NOT let power cords touch hot surfaces
5. Disconnect power at fuse or circuit breaker before installing or servicing
6. Allow battery to charge for 24 hours before first use



CAUTION

PLEASE READ INSTRUCTION BEFORE COMMENCING INSTALLATION AND RETAIN FOR FUTURE REFERENCES.

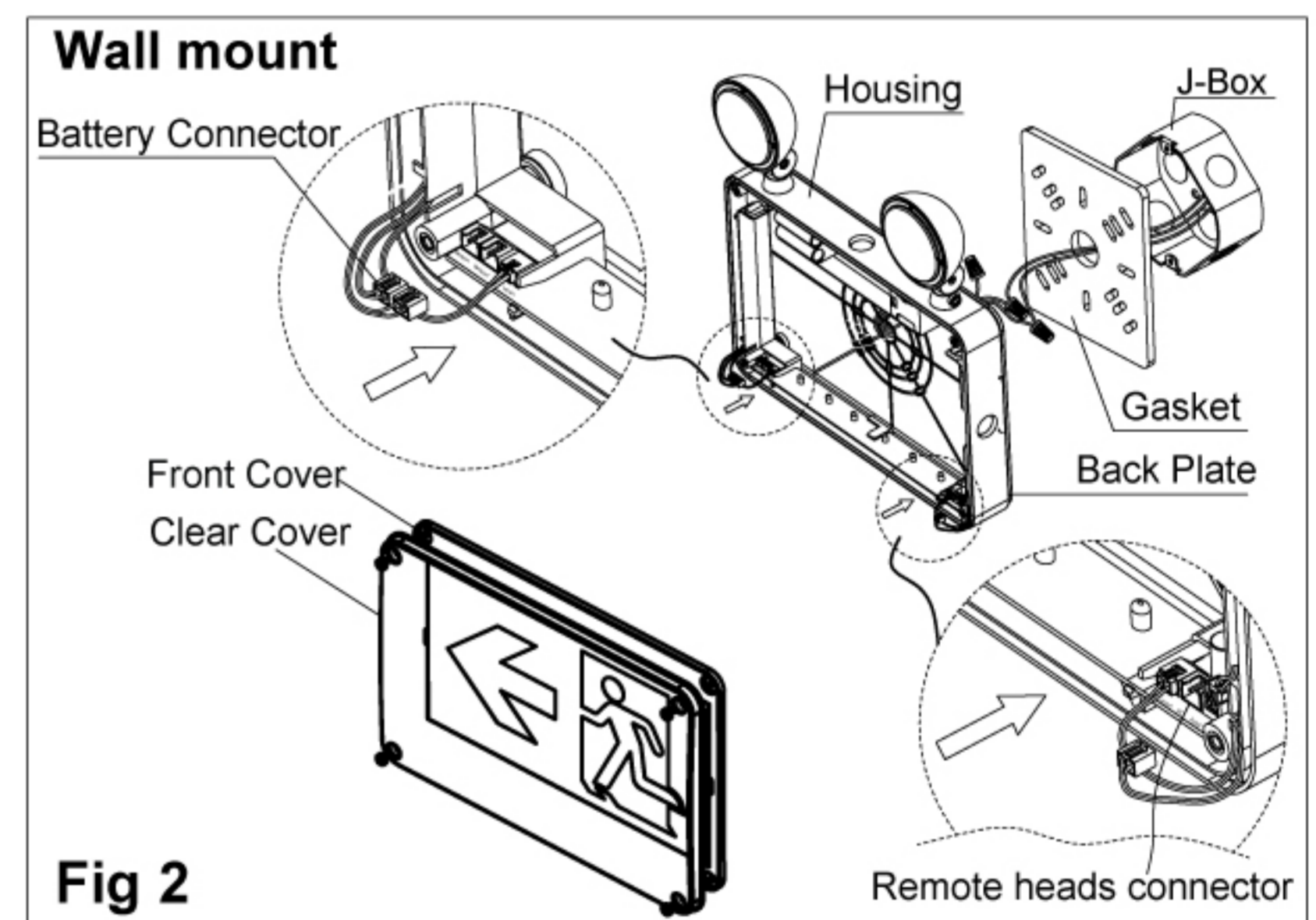
Electrical products can cause death or injury, or damage to property.

If in any doubt about the installation or use of this product, consult a competent electrician.

INSTALLATION GUIDE

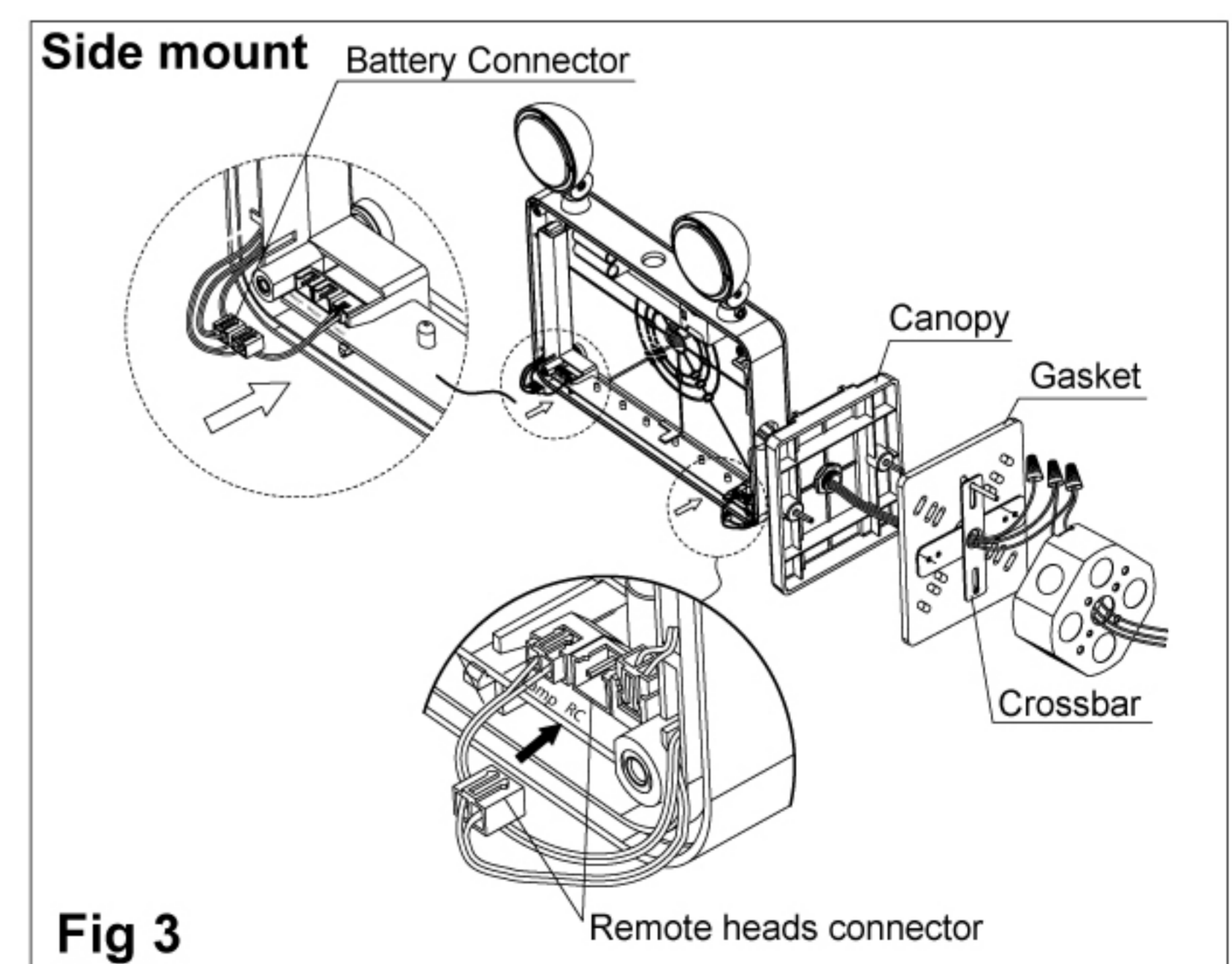
Wall Mounting (see Fig 2)

1. Open front cover by screwdriver (see Fig 1).
2. Knock out center and appropriate mounting screw holes on the back plate, paste gasket on back of back plate
3. Feed building power supply wires through the center hole, fix back plate to waterproof type junction box by screws.
4. Make correct electrical connections inside of fixture according wiring diagram.
5. Push excess wire into junction box.
6. Attach battery connector to PC board.
7. Install appropriate pictogram as required, restore front panel on unit.



Side Mounting (see Fig 3)

1. Attach crossbar to J-box set the crossbar so that the longer blade is touching the waterproof type junction box.
2. Open front cover by screwdriver.
3. If double face is desired, replace back plate with additional face plate provided.
4. Knock out the mounting hole on the top or side of the unit, assemble the canopy on the unit (see Fig 5).
5. Route the proper wires through mounting hole out of housing .
6. Make electrical connections inside the J-box as wiring diagram.
7. Fasten crossbar on J-box by screws provided.
8. Paste gasket on canopy, then fasten canopy to crossbar and against to the wall.
9. Attach battery connector to PC board.
10. Install appropriate pictogram as required, restore front panel on unit.



INSTALLATION GUIDE

Ceiling suspend mount (see Fig 4)

1. Preinstall mounting pipe and fix junction box on the mounting pipe (use local standard accessories).
2. Rest install process refer to side mounting phase.
The difference is wiring knock out hole is on the top of housing.

Connecting Remote heads (see Fig 4)

If fixture has remote capability option, Max. remote capability is 3.6VDC1.5W
Connect remote heads extension wire to remote wire, yellow is positive(+), purple is negative(-), connect wires using wire nuts.
Notice: for constant output remote head, remote capability 0.75W max

Canopy assembly

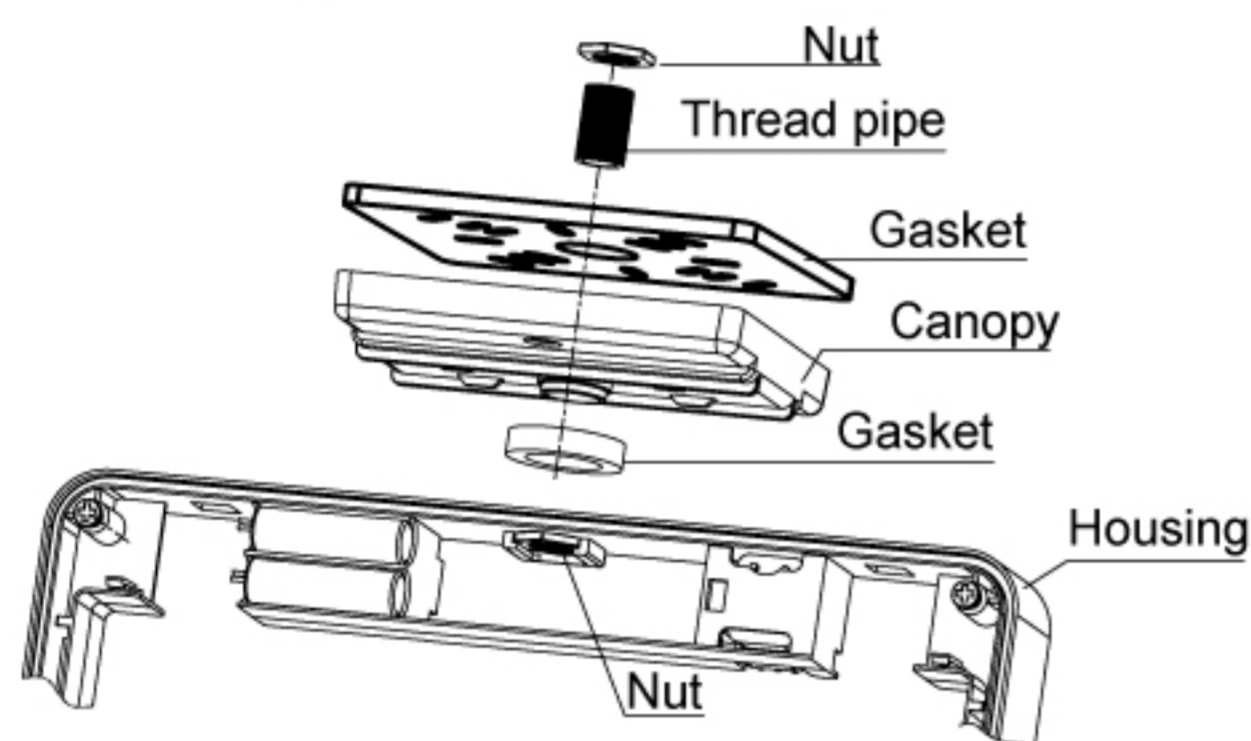


Fig 5

Use provided thread pipe and 2 nut fix canopy on unit, put gasket between unit and canopy.

Ceiling suspend mount

This installation method will invalid waterproof function. Just for damp location.

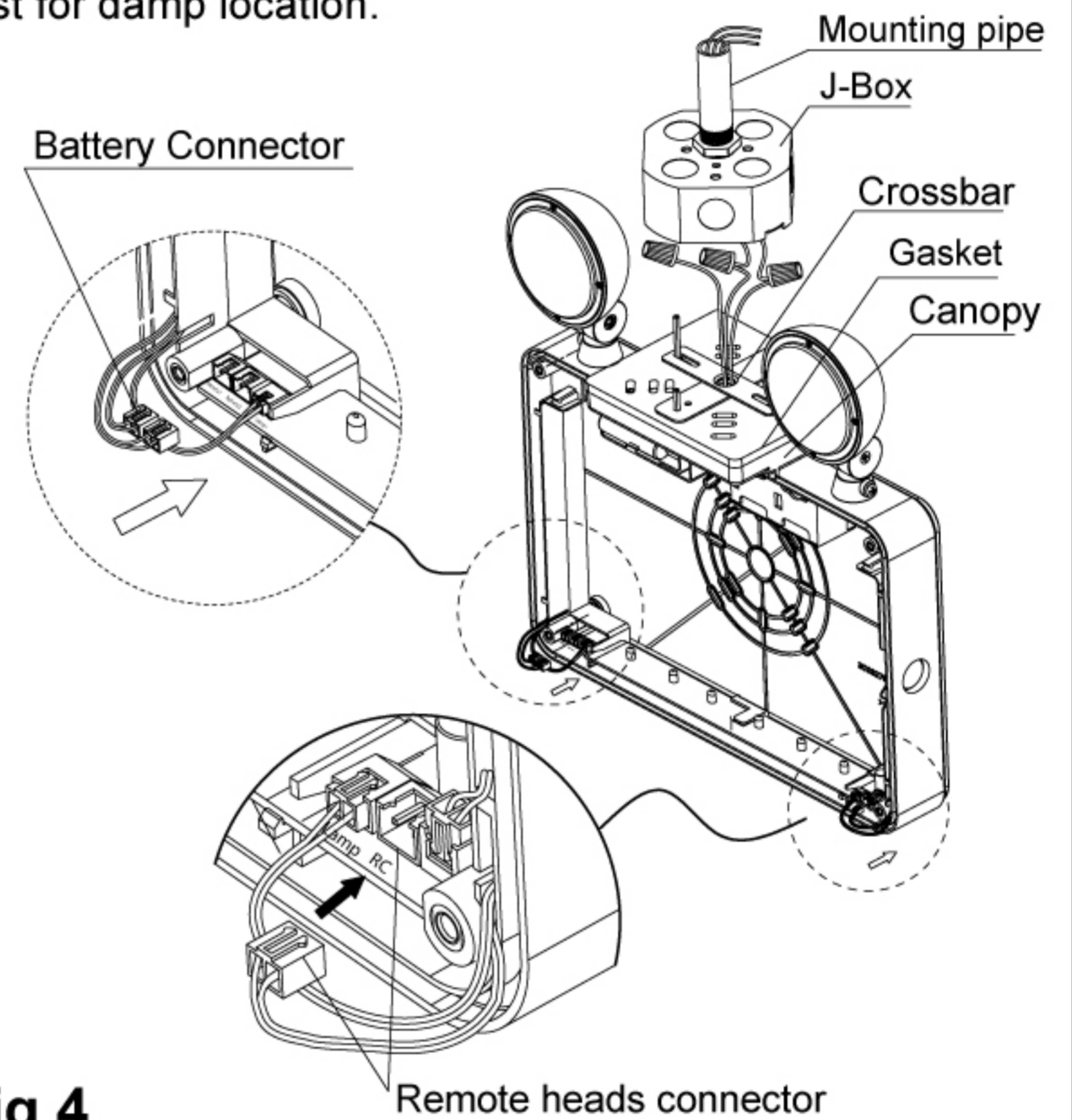


Fig 4

ORTECH reserves the right to modify at any time, without notice, any or all of our product's features, designs, components and specifications to meet market changes.