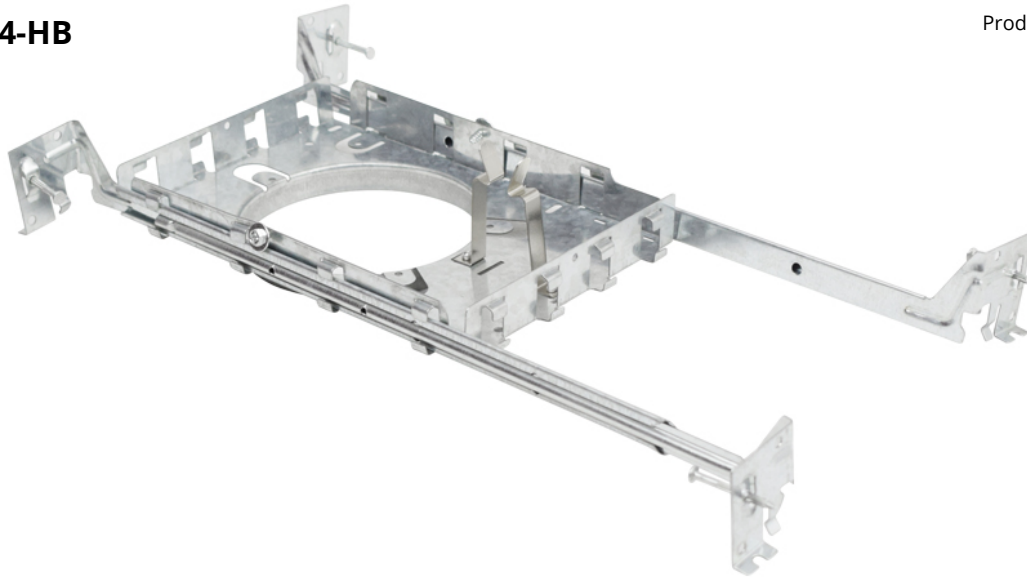


Mounting Plate

MODEL PLATE4-HB



HIGHLIGHTS

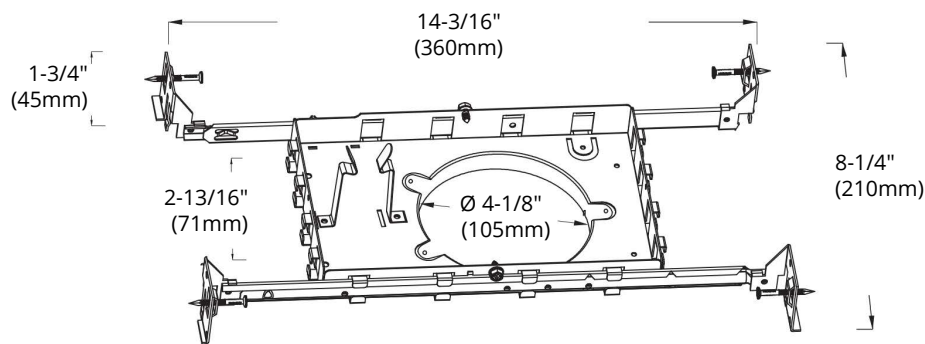
Galvanized steel mounting plate with hanger bars for ORTECH 4" LED slim lights

- Hanger bar install in longer side
- For 4" LED slim light with curved lip

SPECIFICATIONS

| | |
|------------------------------|-------------------|
| Model | PLATE4-HB |
| Hole Size | Ø 4-1/8" (105 mm) |
| Material | Galvanized steel |
| Hanger Bar Installation Type | Four way |

DIMENSIONS



| Reference | QTY. | Remarks | Project: |
|-----------|------|---------|---------------|
| | | | Location: |
| | | | Architect: |
| | | | Engineer: |
| | | | Contractor: |
| | | | Submitted by: |
| | | | Date: |

ORTECH reserves the right to modify at any time, without notice, any or all of our product's features, designs, components and specifications to meet market changes.