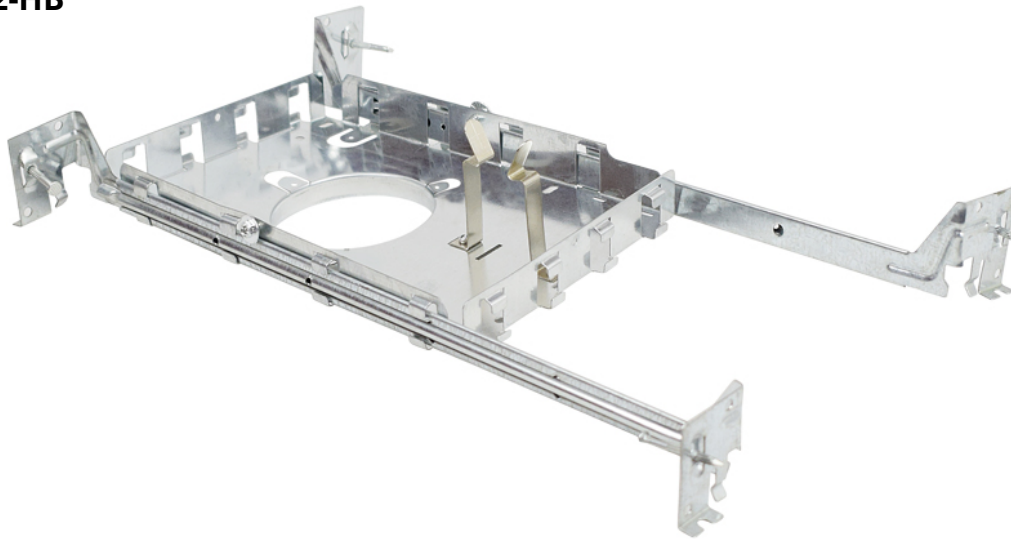


# Mounting Plate

## MODEL PLATE2-HB



### HIGHLIGHTS

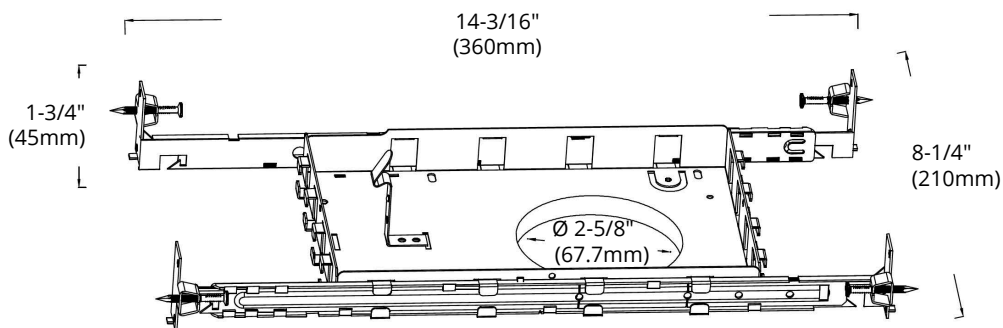
Galvanized steel mounting plate with hanger bars for ORTECH 2" LED slim lights

- Hanger bar install in longer side
- For 2" LED slim light with curved lip

### SPECIFICATIONS

Model	<b>PLATE2-HB</b>
Hole Size	Ø 2-5/8" (67.7mm)
Material	Galvanized steel
Hanger Bar Installation Type	Four way

### DIMENSIONS



Reference	QTY.	Remarks	Project:
			Location:
			Architect:
			Engineer:
			Contractor:
			Submitted by:
			Date:

ORTECH reserves the right to modify at any time, without notice, any or all of our product's features, designs, components and specifications to meet market changes.