

LED Landscape Lighting — Aluminum Inground Light

MODEL OD-UGB201A



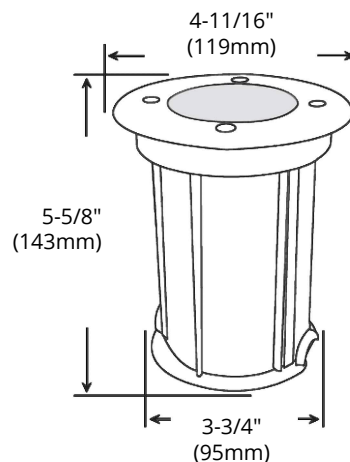
HIGHLIGHTS

- Perfect for spotlighting signs and statuary
- Allows precise aiming of the lamp for angled uplighting
- For dramatic effects of tree shadows projected against walls
- Cast brass faceplate with a gasketed heavy-duty composite body
- LED inground light with aluminum gimbal housing that is easily adjustable
- MR 16 bulbs between 3w and 5w are highly recommended, max wattage should not exceed 7w
- Case Quantities: 20

SPECIFICATIONS

Model	OD-UGB201A
Voltage	12V AC
Housing	Stainless steel body, Solid brass cover, Aluminum gimbal, Polymeric embedded part
Lamp Base	GU5.3 Bi-pin base on an adjustable gimbal
Lamp	12V MR16 bulb (not included)
Lens	Clear
Wiring	3'18/2 UL wire, SJTW-2W leads
Operating Temp.	-25°C ~ +40°C
Warranty	5 years

DIMENSIONS



Reference	QTY.	Remarks	Project:
			Location:
			Architect:
			Engineer:
			Contractor:
			Submitted by:
			Date:

ORTECH reserves the right to modify at any time, without notice, any or all of our product's features, designs, components and specifications to meet market changes.