

# LED Landscape Lighting — Uplights

## MODEL OD-UPB203



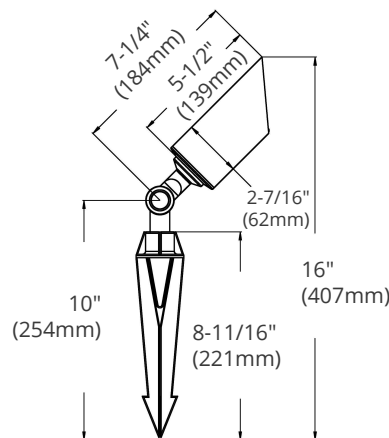
### HIGHLIGHTS

- Antique brass colour thumb
- LED uplight with spring socket lamp base
- Provides beautiful accents to trees, columns and architectural features
- Shines light upward to illuminate an object or surface for dramatic effect
- Accentuates key focal points in the landscape and to create shadows on walls
- MR 16 bulbs between 3w and 5w are highly recommended, max wattage should not exceed 7w
- Case Quantities: 10

### SPECIFICATIONS

Model	<b>OD-UPB203</b>
Voltage	12V AC
Housing	Solid brass
Lamp Base	GU5.3 Bi-pin base, Spring socket
Lamp	12V MR16 bulb (not included)
Lens	Convex glass
Wiring	3'18/2 UL wire, SPT-2W leads
Mounting Access	Regular PVC stake
Operating Temp.	-25°C ~ +40°C
Warranty	5 years

### DIMENSIONS



Reference	QTY.	Remarks	Project:
			Location:
			Architect:
			Engineer:
			Contractor:
			Submitted by:
			Date:

ORTECH reserves the right to modify at any time, without notice, any or all of our product's features, designs, components and specifications to meet market changes.