

## LED PUK LIGHTS

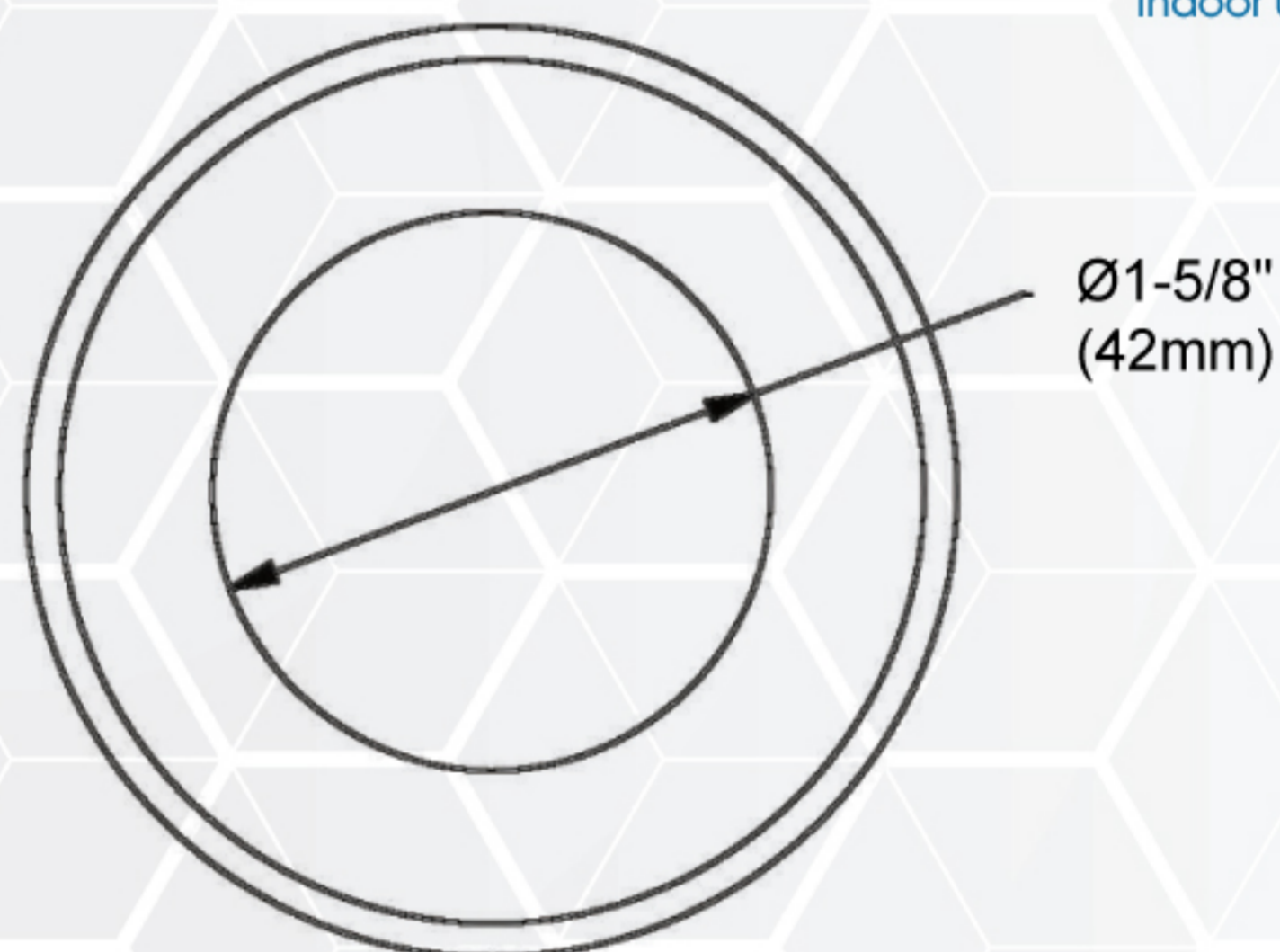
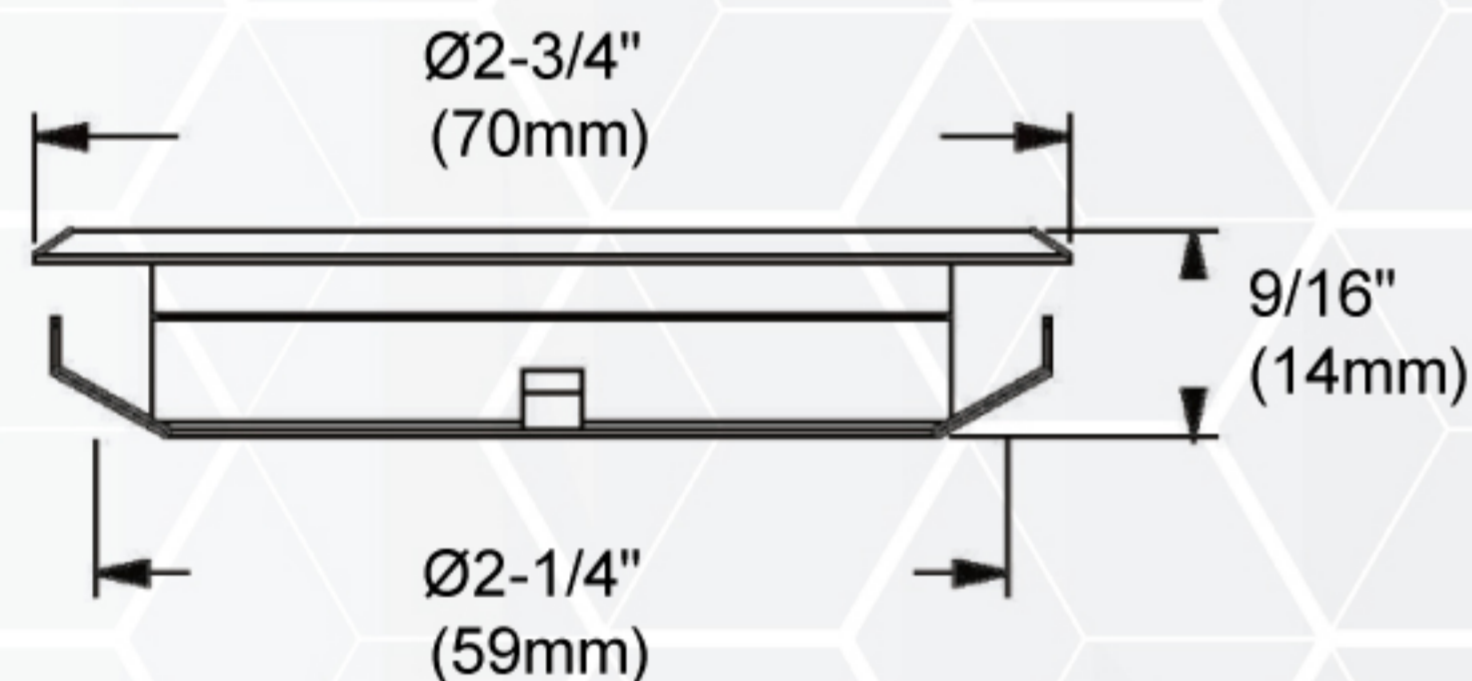
### PUK 021-3W

## HIGHLIGHTS

### Mini 3W LED puk downlight for indoor use

- Ready/Safe to use & easy to install
- Perfect for illuminating areas such as cabinet, closet, shelf, corridor or even a wine bar
- Each LED cabinet light equals to a 10W incandescent fluorescent or halogen lamp
- High Brightness of 200 lumens
- CRI 90+ for a more true to life colour rendering - perfect for under kitchen cabinets and bedroom closets

## DIMENSIONS



## SPECIFICATIONS

Model	PUK 021-3W
Wattage	3W
Voltage	12V DC
Lumens	200lmn
Beam Angle	90°
Lifetime	50000 hours
Dimmable	Yes (if with dimmable driver)
Rating	Non-IC Rated / Indoor Use / Damp Location
CRI	90
Grade of Protection	IP43
Colour Temp.	3000K / 4000K / 5000K
Application	Under Cabinet / Home / Office / Kitchen
Operating Temp.	-10°C ~ +40°C
Case Quantities	100

## LED PUK LIGHTS

### PUK 021-3W

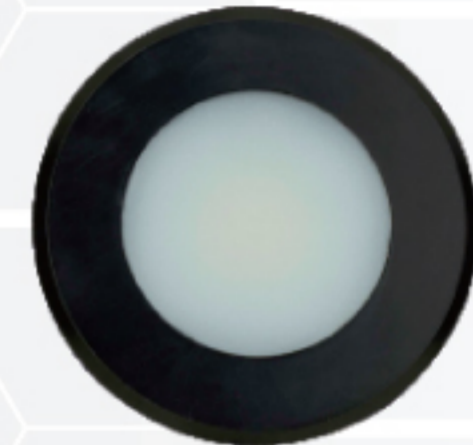
### AVAILABLE FINISH



**PUK 021-3W-WH**  
White



**PUK 021-3W-SN**  
Satin Nickel



**PUK 021-3W-BK**  
Black

### COMPATIBLE DRIVERS (SOLD SEPARATELY)



**OT-08D**  
Max. 8W  
class 2 driver



**OT-15D**  
Max. 15W  
class 2 driver



**OT-24D**  
Max. 24W  
class 2 driver



**OT-48D**  
Max. 48W  
class 2 driver



**OT-60D**  
Max. 60W  
class 2 driver



**OT-96D**  
Max. 96W  
class 2 driver

Reference	QTY.	Remarks	Project:
			Location:
			Architect:
			Engineer:
			Contractor:
			Submitted by:
			Date:

ORTECH reserves the right to modify at any time, without notice, any or all of our product's features, designs, components and specifications to meet market changes.