

LED PUK LIGHTS

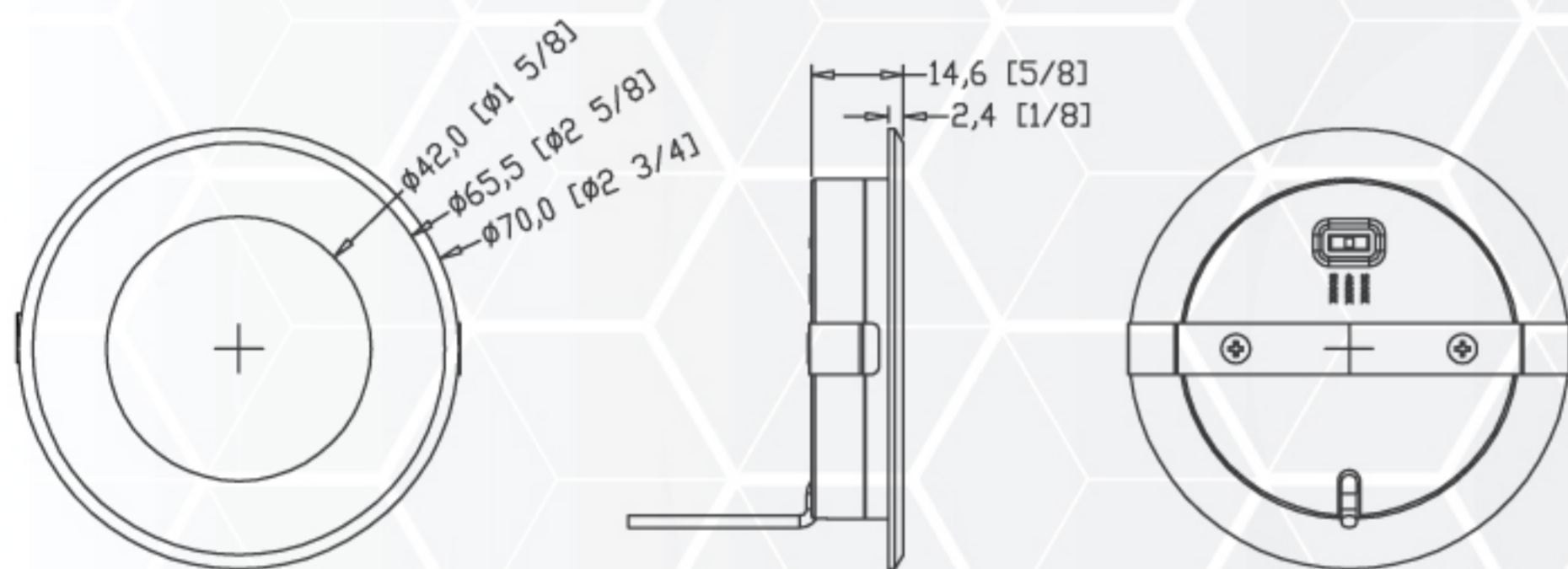
PUK 1.5-3CCT | PUK 3.0-3CCT

HIGHLIGHTS

Mini LED puk downlight for indoor use

- Material: aluminum + PMMA
- Can be installed wherever light is needed and easily connected in daisy-chain to provide uniform illumination
- Easy installation: recessed mount
- Suitable for indoor use only, dry and damp locations
- 3-color Field Selectable CCT- 3000K, 4000K, 5000K

DIMENSIONS



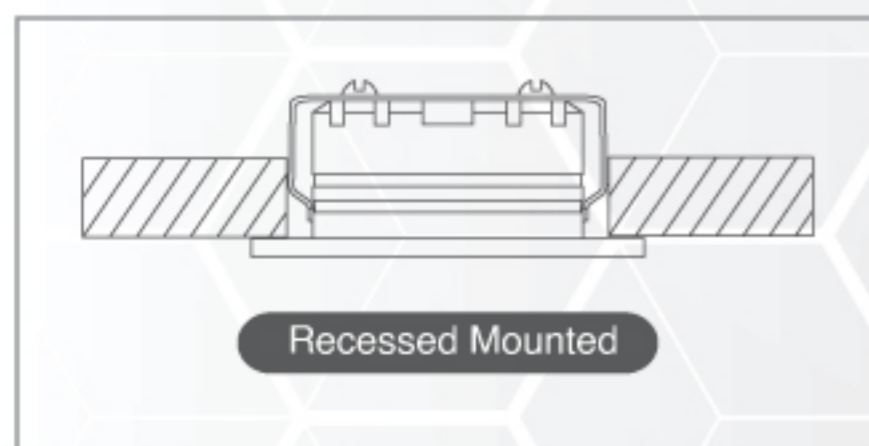
AVAILABLE FINISH



SPECIFICATIONS

Model	PUK 1.5-3CCT	PUK 3.0-3CCT
Wattage	1.5W	3W
Voltage	12V DC	
Lumens	120lm	240lm
Beam Angle	120°	
Lifetime	50000 hours	
Air Tight	Yes	
Rating	Indoor location For Dry And Damp Locations	
Grade of Protection	IP42	
CRI	90+	
Colour Temp.	3000K / 4000K / 5000K	
Dimming	Yes (if with dimmable drivers)	
Operating Temp.	-10°C ~ +40°C	
Case Quantities	100	

INSTALLATION



Cut Hole Size
Ø2-3/8" (60mm)



COMPATIBLE DRIVERS (SOLD SEPARATELY)



ORTECH reserves the right to modify at any time, without notice, any or all of our product's features, designs, components and specifications to meet market changes.