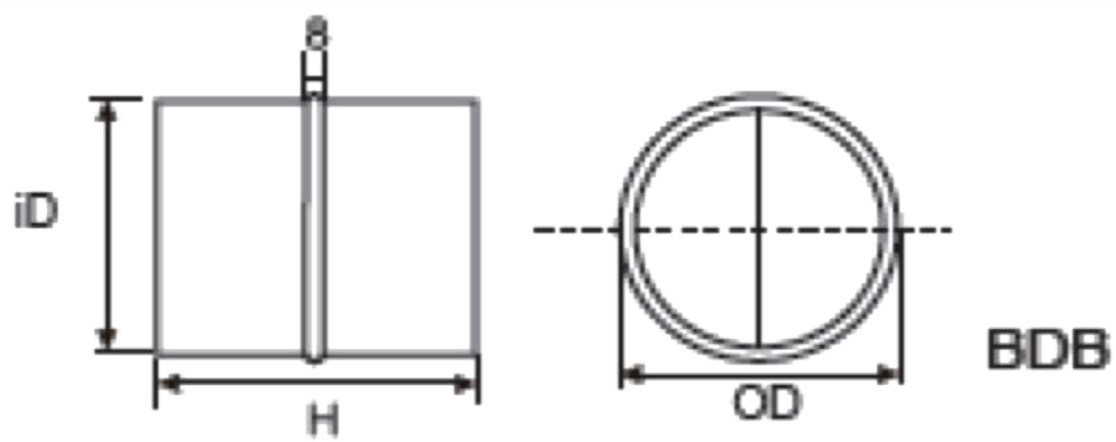
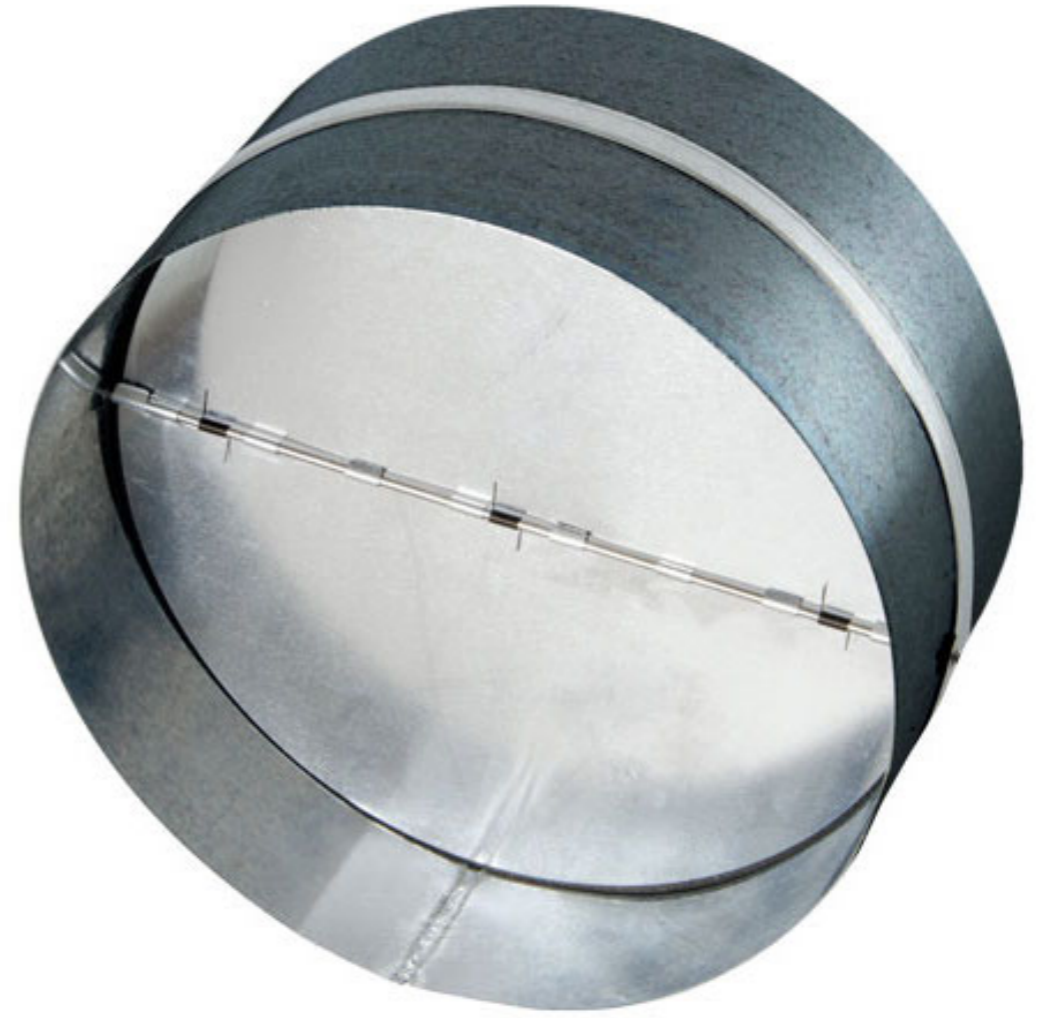


BDB

Description

- Galvanized steel
- The blade is equipped with a closing spring
- Maybe installed in any position
- Back draft damper for round ducts is made of galvanized steel
- The damper's blades (oscillating) are closed by a spring which allows for assembly in any position
- Used to allow flow of air in one direction only
- Available in different sizes (diameter) listed below: 4", 5", 6", 8", 10", 12"



Reference	QTY.	Remarks	Project:
			Location:
			Architect:
			Engineer:
			Contractor:
			Submitted by: